

RECEIVER 1

RE-501-WIFI

For DIM/CCT/RGB/RGBW/RGB2W

Features

Output: 3-5 channels
 Gray-scale: 1024 levels
 Working Voltage: DC12~24V
 Connecting Mode: common anode
 Speed stage: 1024 levels;
 RF Frequency: 2.4GHz;
 Max. output current: PWM=2KHz:4A/CH,
 PWM=21.6KHz:3A/CH
 Max. output power: 12V:<240W, 24V:<480W
 External size: L160*W46*H25mm
 Net Weight: 110g;
 Short circuit protection: Yes
 Memory function: Yes
 TUYA APP for IOS/Android

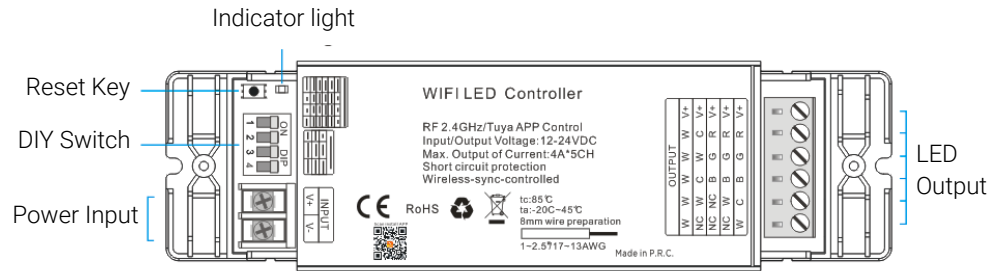
Interface Specifications

- Signal indicator status and description: it will light up when operating the remote control; it will stay on after a successful WIFI connection.
- The 1-3 bits of the DIP switch are used to set the load output type, corresponding to the following:

DIM				CCT				RGB				RGBW				RGB2W			
ON		DIP		ON		DIP		ON		DIP		ON		DIP		ON		DIP	
1	2	3	4	1	2	3	4	1	2	3	4	1	2	3	4	1	2	3	4
OFF	OFF	OFF		ON	OFF	OFF		OFF	ON	OFF		ON	ON	OFF				ON	

- DIP switch 4 is used to set the PWM frequency of the load output: OFF-2KHz (factory default value), ON-21.6KHz.

PWM=2KHz				PWM=21.6KHz			
ON		DIP		ON		DIP	
1	2	3	4	1	2	3	4
			OFF				ON



- Short-circuit protection.
- RF remote control+ WIFI control.
- WIFI technology powered by Tuya, And compatible with voice control via Amazon Alexa, Google Assistant, Yandex Alice and so on.
- PWM frequency is adjustable, 2KHz or 21.6KHz.
- Compatible with 16 items RF remote controls for options, meet different applications.
- Memory function; It will reserve the last used mode.
- Designed for constant voltage LED lights, the program is settable for DIM/CCT/RGB/RGBW/RGB2W.
- DC12-24V, 5 channels output, Max. load current: 4A*5CH; Max. load power: 240W/12V; 480W/24V.

Note: After setting the load output type, the WIFI control function needs to be reset, and the "add device" operation should be performed again in the APP. If the type is switched in the power-on state, the controller will automatically reset, and will directly enter the EZ distribution network state after the load light flashes quickly. For more connection instructions, please refer to the "Direction for use -WIFI Network Operation" section.

Direction for use

WiFi controlled by Tuya Application to achieve smart control like group control, scene control, timer control, music control and so on. It is also compatible with voice control via Amazon Alexa, Google Assistant, Yandex Alice and so on.

Scan QR code from controller to download Tuya application and register it to get your home account.

WiFi- Smart Controller can be added using **"EZ Mode"**- Auto Scan or **"AP Mode"**-Add Manually.

EZ Mode: Press and hold the "Key" button for 5s to restore to the factory setting and enter EZ mode (Rapid Blinking).

AP Mode: Unplug and reconnect the power supply and the WiFi Smart Controller 5 times in a short period of time to enter AP mode (Slow Blinking).

Tips:

1. If the Wi-Fi signal is weak or cannot connect with the device using "EZ Mode", please tap the "EZ Mode" on the top right corner and tap "AP Mode" to enter the AP mode to add the device and follow the App instructions to connect the Wi-Fi Smart Controller to your network.

2. After setting the load output type, the WIFI control function also needs to be reset, and the "add device" operation should be performed again in the APP.

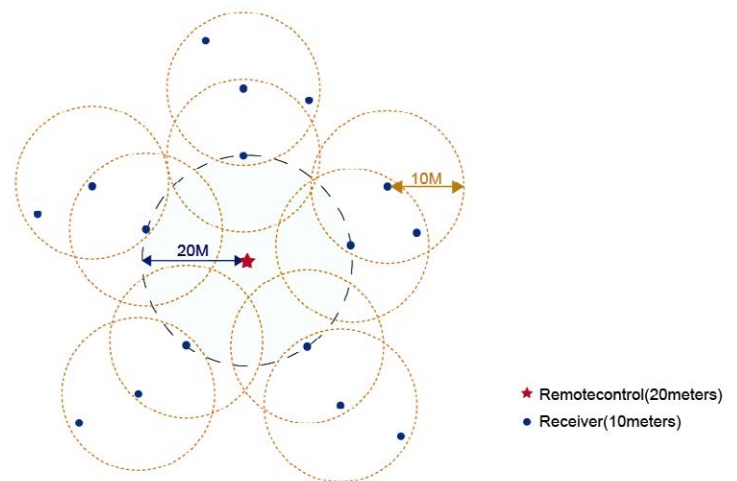
1) If the load type is reset in the power-on state, the controller will automatically reset, and will directly enter the EZ distribution network state after the load light flashes quickly. At this time, the load light will keep flashing, and the network connecting operation can be performed, or you can press any button on the remote control to stop the light flashing (still at the network connecting status in 3 minutes); if there is no operation, it will automatically exit after 3 minutes.

2) If the load type is reset in the power-off state, please refer to the above instruction to connect the network by EZ Mode or AP Mode.

Wireless-synchronization function

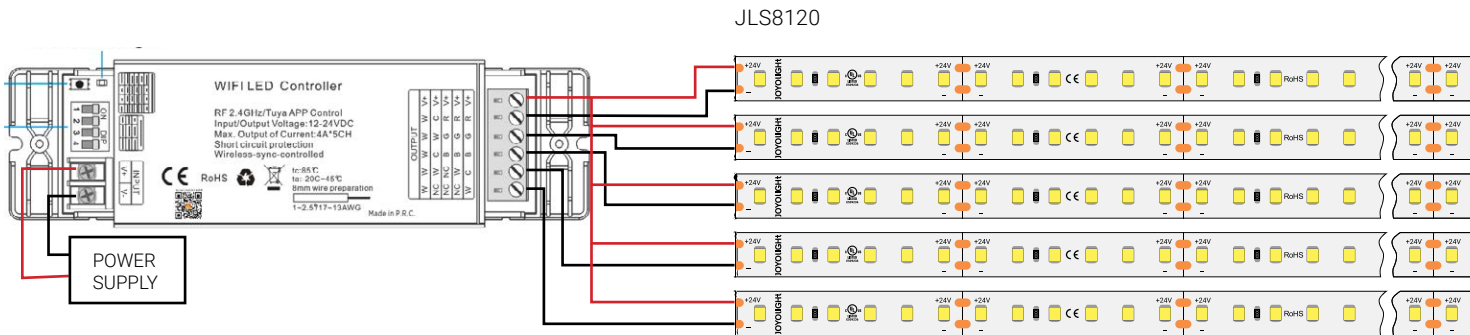
The controllers will transmit the control signals from the remote control and self-inspect the working statuses for each other. Thus, multiple receivers in the same area will synchronize wirelessly, not only in static mode, but also in dynamic mode, to achieve a cable-like operating experience.

In order to achieve a perfect wireless synchronization effect, please keep the distance between receivers within 10 meters as shown below.

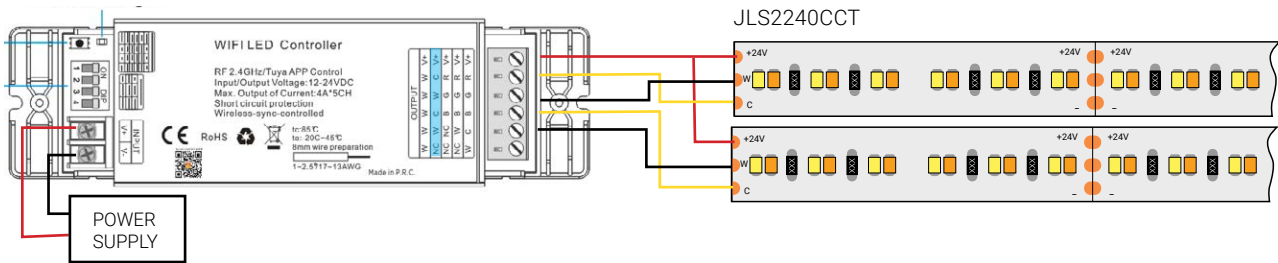


Connection Diagram

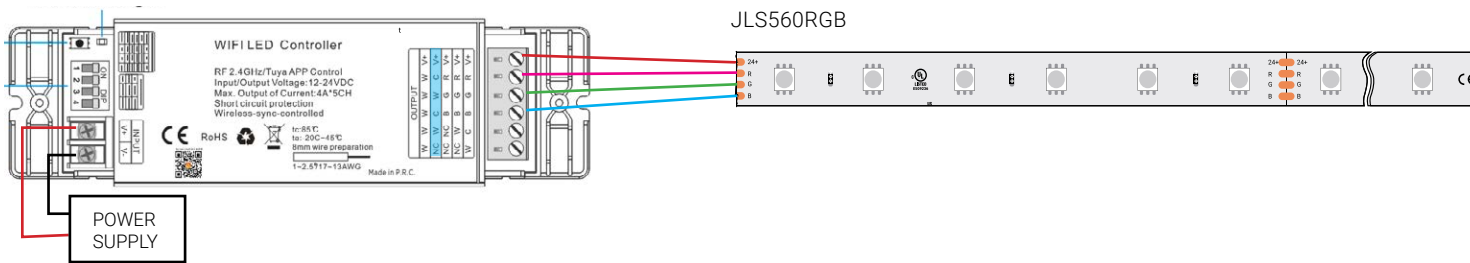
Application Circuit 1: Single Color



Application Circuit 2: CW+WW



Application Circuit 3: RGB



Application Circuit 4: RGBW

