

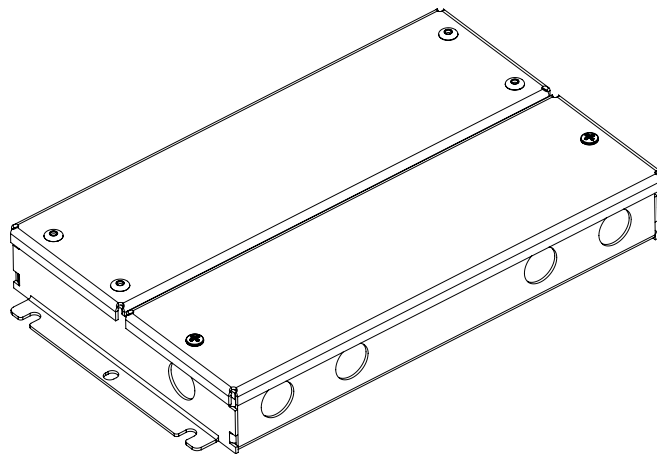
**JOYOLIGHT**

2020-04

JLM-96-24-JP2

**SPEC**

POWER



#12, 5200 Dixie Rd,  
Mississauga, ON  
Canada L4W 1E4  
[www.joyolight.ca](http://www.joyolight.ca)  
[info@joyolight.com](mailto:info@joyolight.com)



## Features

- Output constant voltage
- UL, cUL listed, Class 2 unit, Type HL rated. FCC
- Universal AC input: 100-277VAC
- Power Factor: up to 0.98
- High efficiency: up to 86%
- Load: 10-100%
- Protection: short circuit/over loading/ Over temperature
- PWM output, does not change the color index
- Full protection metal case, for dry, damp, wet location
- Flicker-free
- Dimming function:
  - Phase dimming: work with forward phase/ leading edge, MLV and Reverse phase/ trailing edge, ELV, TRIAC dimmers
  - 0-10V dimming: 0-10V/1-10V/Potentiometer/10V PWM 4 in 1
- Dimming range: 0-100%
- Suitable for LED lighting and moving sign applications



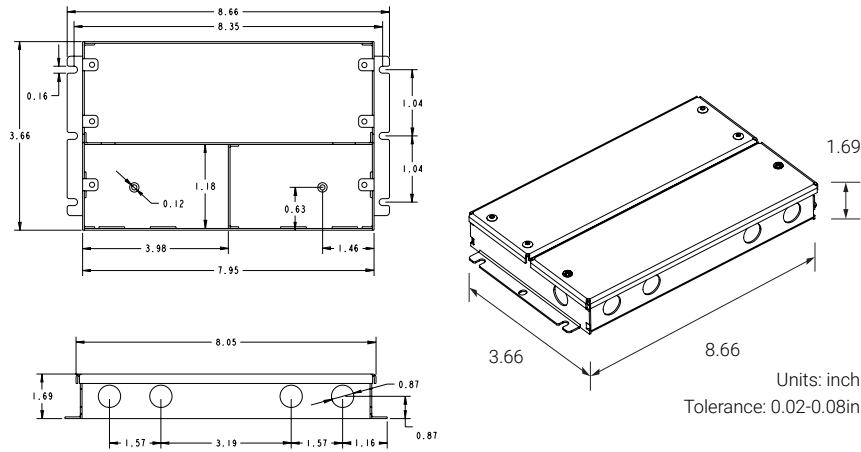
Class 2  
TYPE HL



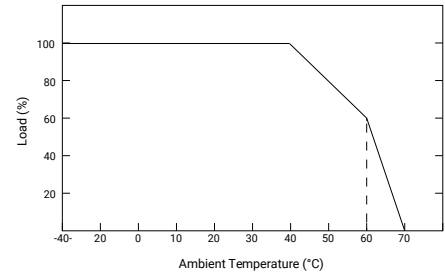
## JLM-96-24-JP2

JLM-96-24-JP2		
<b>Certification</b>	UL, cUL listed, Class 2 unit, Type HL rated, FCC	
<b>Output</b>	DC Voltage	24V
	Rated Current	4A
	Rated Power	96W
	Voltage Tolerance	±0.5V
	Voltage Regulation	±0.5%
	Load Regulation	±1%
<b>Input</b>	Voltage Range	100-277VAC
	Frequency Range	47-63Hz
	Power Factor (Typ.) @ full load	0.98@120VAC 0.95@277VAC
	THD (Typ.) @ full load	<20%
	Efficiency (Typ.) @ full load	83% @120Vac 86%@277Vac
	AC Current (Max.)	1.3A@100Vac
	Inrush Current (Typ.)	20A, 50%, 1.6ms
	Leakage current	<0.50mA
<b>Protection</b>	Short Circuit	shut down o/p voltage, re-power on to recover after fault condition is removed
	Over Loading	≤120% constant current limiting, auto-recovery
	Over temperature	100°C±10°C shut down o/p voltage, automatically recover after cooling.
<b>Environment</b>	Working TEMP.	-40~+60°C (see below derating curve)
	Working Humidity	20~90% RH, non-condensing
	Storage TEMP. Humidity	-40~+80°C, 10~95%RH
	TEMP .coefficient	±0.03%/°C (0~50°C)
	Vibration	10~500Hz, 5G 10min./1 cycle, period for 60min. each along X,Y, Z axes
<b>Safety&amp; EMC</b>	Safety standards	UL8750 + UL1310
	Withstand voltage	I/P-O/P: 1.88KVAC
	Isolation resistance	I/P-O/P: 100MΩ/ 500VDC/ 25°C/ 70%RH
	EMC EMISSION	FCC Part 15 B
<b>Others</b>	Net. Weight	1.3Kg
	Size	220*93*43mm (L*W*H)
	packing	10 pcs/CTN
<b>Notes</b>	1. All parameters if NOT specially mentioned are measured at 120VAC input , rated load and 25°C of ambient temperature. 2. To extend the driver's using life, please reduce the loading at lower input voltage.	

## MECHANICAL SPECIFICATION



## DERATING CURVE



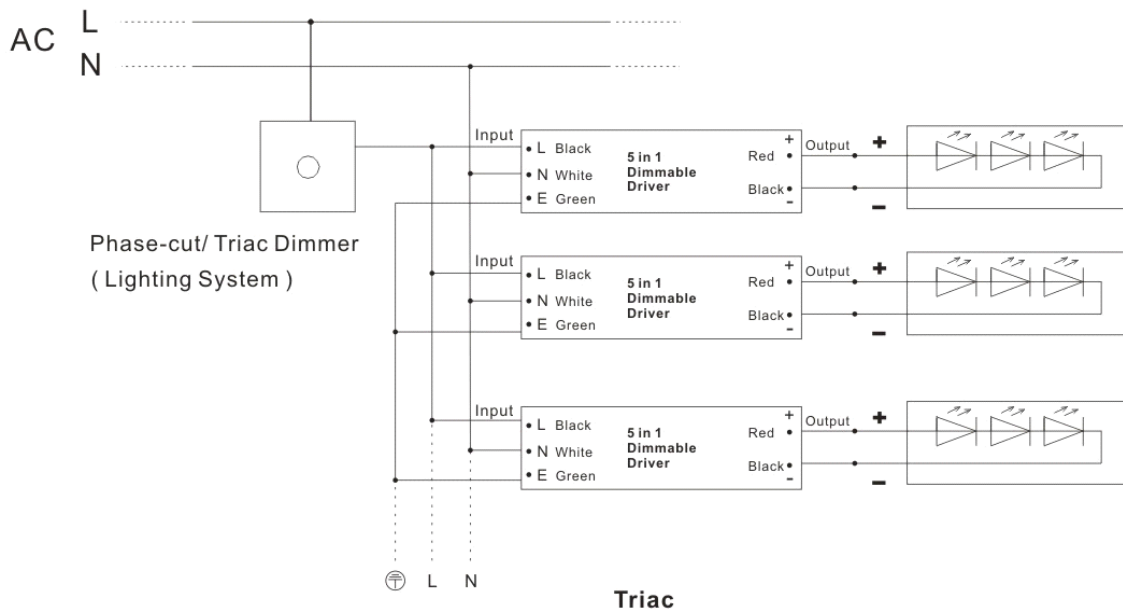
· To extend their life, please refer to the Derating Curve and derate according to the temperature.

- Input wire Black and White to be connected to AC L and N ,Green wire go ground,
- Output wire Red to LED Positive side (+), Black to LED Negative side (-).
- Dimming cable DIM (+) Purple to 0/1-10V dimmer signal (+), DIM (-) Grey to 0/1-10V dimmer signal (-)
- Please make sure your connect these correctly otherwise your product will not function correctly and could be damaged.
- Note: Any other requests we can customize.

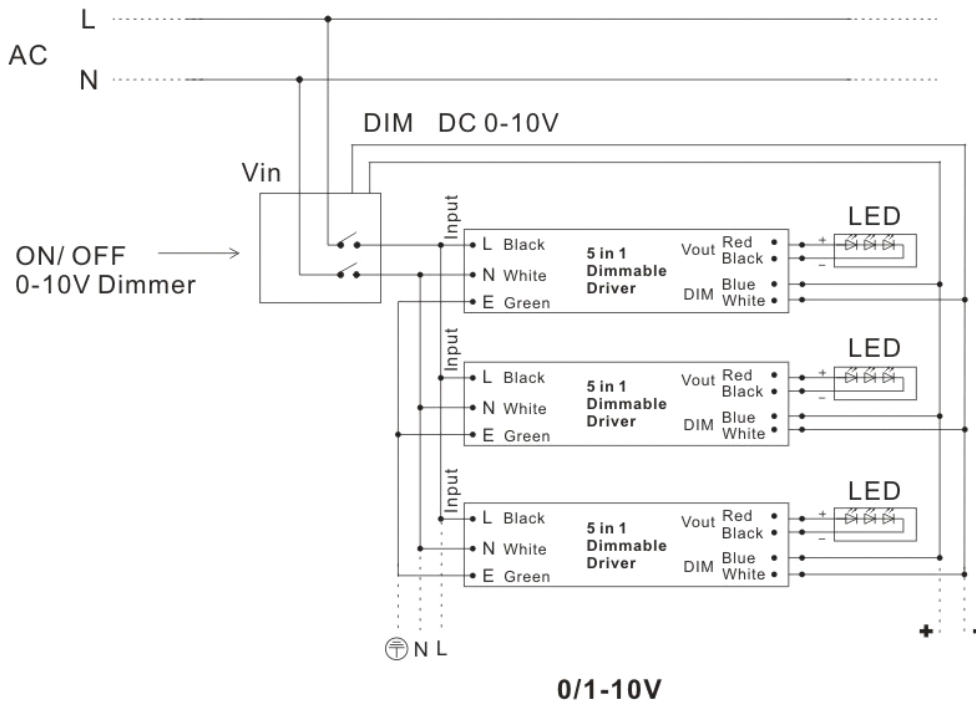
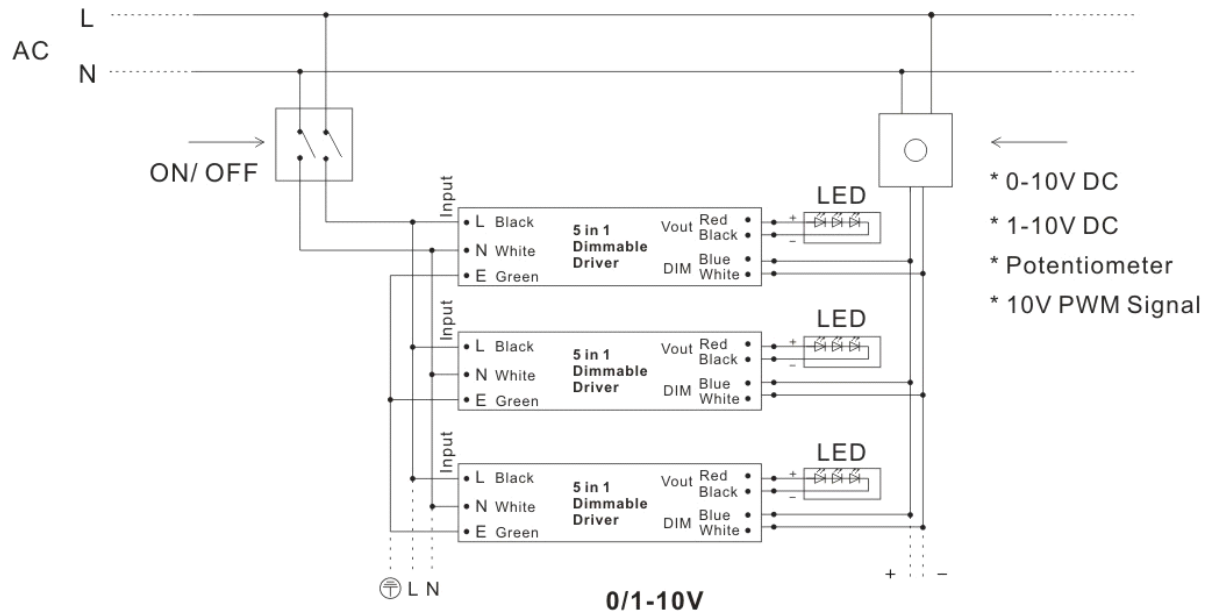
## CONNECTING DIAGRAM

### · Using TRIAC/Phase cut dimming

1. The Pulse-Width Modulation (PWM) of output voltage can be adjusted through input terminal of the AC phase line (L) by connection a phase/ Triac dimmer of lighting system.
2. Work with forward phase/ leading edge, MLV and reverse phase/ trailing edge, ELV, TRIAC dimmers.
3. Please try to use dimmers with power at least 1.5 times as the output power of the driver.



• Using 0-10V/1-10V dimming



**⚠ WARNING**

- 1) This driver should be installed by qualified and professional person;
- 2) Please make sure the driver is installed with adequate ventilation around it to allow for heat dissipation.
- 3) Ensure that wiring is correct before test in order to avoid light and power supply damage;
- 4) If driver Cannot work normally, don't maintain privately; Have any question, please contact Joyolight.