



Model: JLS560RGBW
 Voltage: 24: 24V
 Width: 12: 12mm
 CCT: 30: 3000K, 40: 4000K
 IP: 33: IP33 (Dry), 55: IP55 (Wet), 65: Nano (Damp), 67: IP67 (Wet)
 CRI: 80: 80+
 Length: 5m (SD), Customized



CCT	Power	Brightness	Luminous Efficacy
RGBW	5.85 W/ft	270 lm/ft	46 lm/W
R	1.46 W/ft	35 lm/ft	24 lm/W
G	1.46 W/ft	91 lm/ft	62 lm/W
B	1.46 W/ft	27 lm/ft	18 lm/W
3000K	1.46 W/ft	113 lm/ft	77 lm/W
4000K	1.46 W/ft	116 lm/ft	79 lm/W

Project	
Qty	
Date	
Client	

Standard CCT

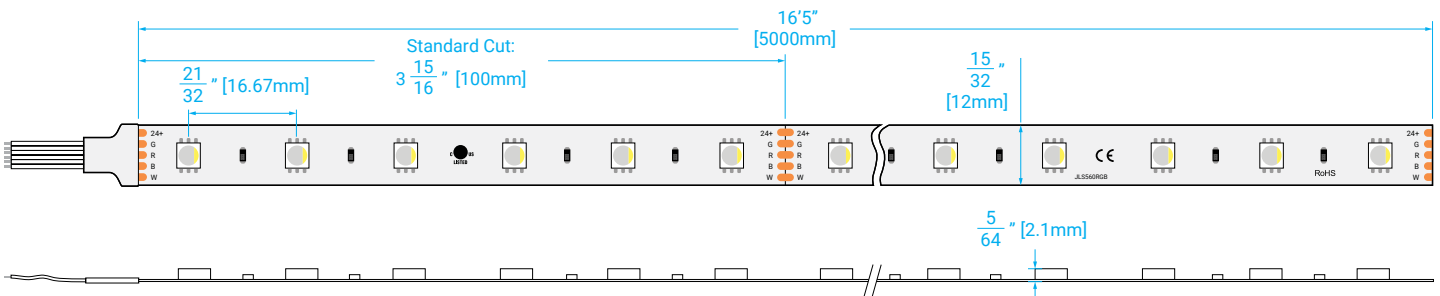


LED Type	SMD5050RGBW
Input Voltage	24VDC
Beam Angle	120°
CRI	80+
Power	R: 4.8W/M (1.46W/ft.); G: 4.8W/M (1.46W/ft.); B: 4.8W/M (1.46W/ft.); W: 4.8W/M (1.46W/ft); RGBW 5.85W/ft
Current	R: 0.2A/m (0.061A/ft); G: 0.2A/m (0.061A/ft); B: 0.2A/m (0.061A/ft); W: 0.2A/m (0.061A/ft)
Brightness	R: 35lm/ft; G: 91lm/ft; B: 27lm/ft; W: 113lm/ft (3000K), 116lm/ft (4000K); RGBW 270lm/ft
Length/ Reel	5m(16.4ft)/ 50m/(164ft)
Cut Length	100mm/unit (3.94in/unit)
Max. Length (No Voltage drop)	5m
IP Grade	IP33/ IP55/ IP65/ IP67
Operating Temperature	-20°C~45°C
Environment Humidity	40-70% RH
Dimming Method	0-10V, RX, PWM, Triac, RF, Bluetooth, WIFI etc.
Certification	CE, UL, RoHS

Waterproof Solution

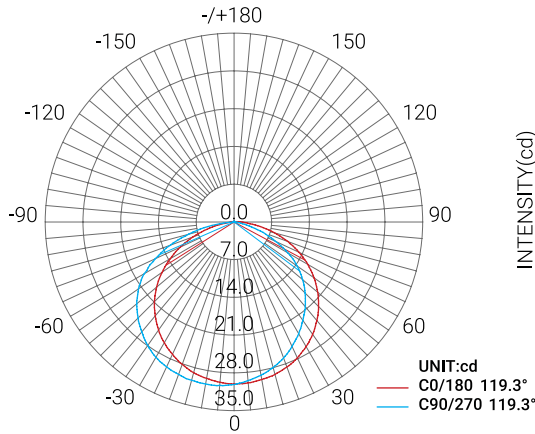


DIMENSION



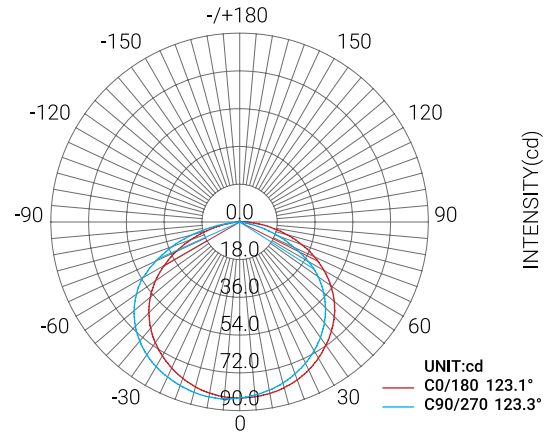
LUMINAIRE PHOTOMETRIC TEST REPORT

Red: LUMINOUS INTENSITY DISTRIBUTION



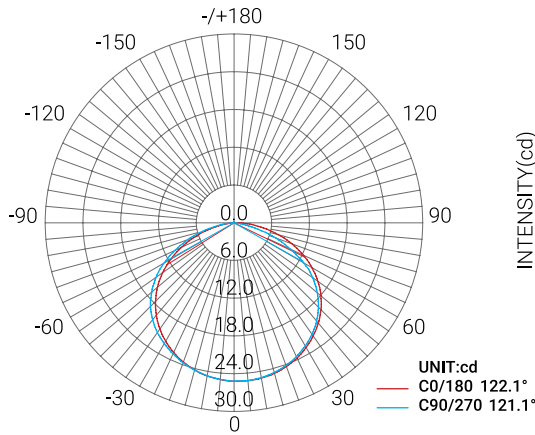
AVERAGE BEAM ANGLE(50%): 119.3 DEG

Green: LUMINOUS INTENSITY DISTRIBUTION



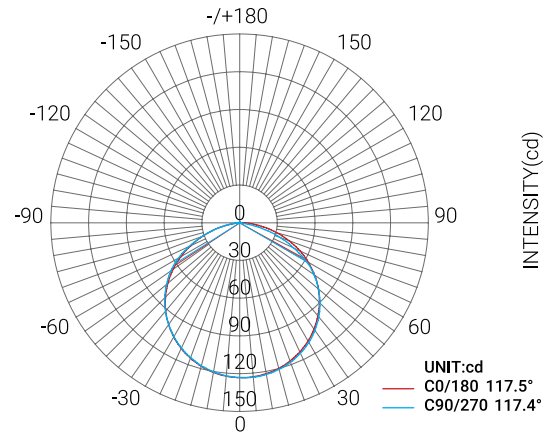
AVERAGE BEAM ANGLE(50%): 123.2 DEG

Blue: LUMINOUS INTENSITY DISTRIBUTION



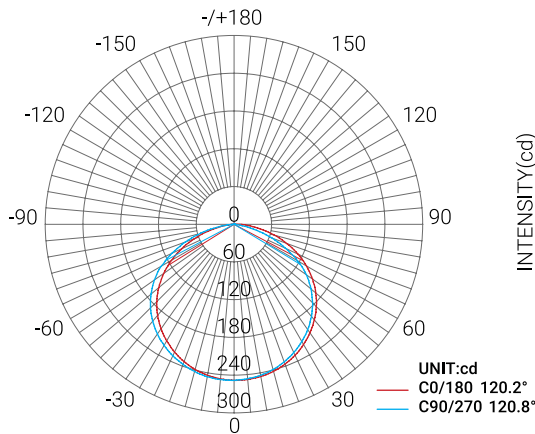
AVERAGE BEAM ANGLE(50%): 121.6 DEG

White: LUMINOUS INTENSITY DISTRIBUTION




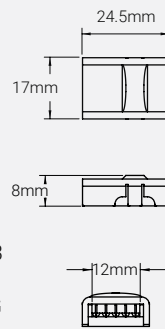

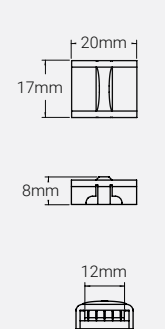
AVERAGE BEAM ANGLE(50%): 117.5 DEG

RGB: LUMINOUS INTENSITY DISTRIBUTION



AVERAGE BEAM ANGLE(50%): 120.5 DEG

ACCESSORIES

 <p>LC5P-12mm-IP33</p> <p>Solderless 5-pin IP33 connector for 12mm LED strips to 20AWG stranded wire.</p> 	 <p>LL5P-12mm-IP33</p> <p>Solderless 5-pin IP33 connector for 12mm LED strips.</p> 
--	--