

JLM-JP2 DRIVER WIRING GUIDE

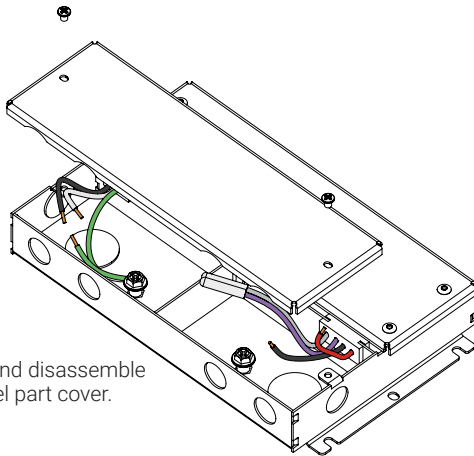
⚠ WARNING Failure to comply with the following installation instructions may result in death or serious injury.

- This product must be installed by a professional familiar with the construction and operation of the product and the hazards involved, in accordance with applicable national and local electrical and construction codes.
- To avoid electrical shock, make sure to disconnect power before install or service.
- Separation of field installed power limited circuit (dimming/control) wiring from the branch circuit wiring in the outlet box are to be made following local and/or national electrical installation codes.
- Do not use parts that are damaged.

⚠ CAUTION

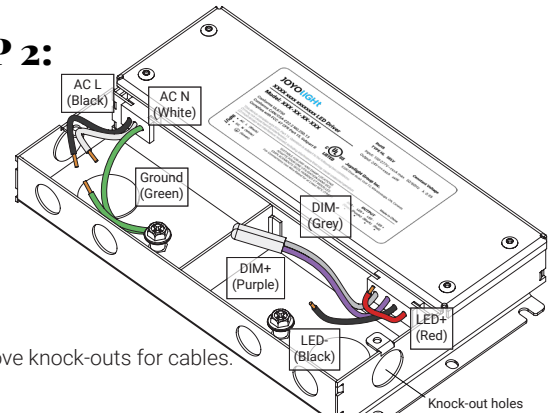
- If received with missing or damaged parts, please contact Joyolight at 647-496-8107 (CA) or 1-877-849-1942 (US).
- Handle the driver with care throughout the installation in case of damages.
- Unauthorized field repairs will void warranty.

STEP 1:



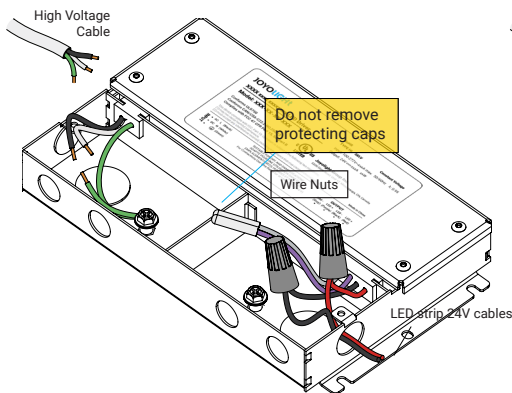
- Unscrew and disassemble the no-label part cover.

STEP 2:



- Remove knock-outs for cables.

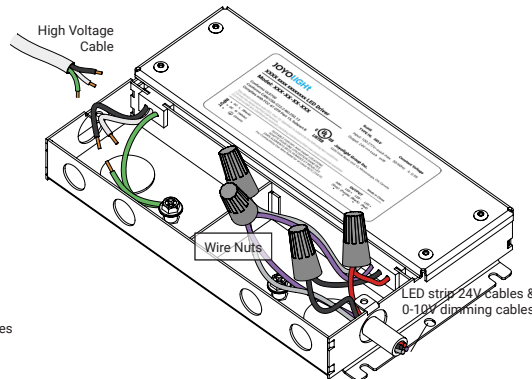
STEP 3: (Option 1: Triac Dimmable)



Twist the same color cables on together by wire nuts to connect the 24V cables.

- High Voltage ground cable connect with driver ground wire.
- High Voltage neutral cable connect with driver neutral wire.
- High Voltage live cable connect with driver live wire.
- LED strip 24V positive cable connect with driver LED+ (red).
- LED strip 24V negative cable connect with driver LED- (Black).

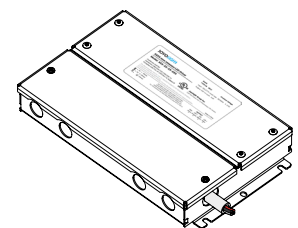
STEP 3: (Option 2: 0-10V Dimming)



Twist the same color cables on together by wire nuts to connect the 24V cables.

- High Voltage ground cable connect with driver ground wire.
- High Voltage neutral cable connect with driver neutral wire.
- High Voltage live cable connect with driver live wire.
- LED strip 24V positive cable connect with driver LED+ (red).
- LED strip 24V negative cable connect with driver LED- (Black).
- 0-10V Dimming positive cable connect with driver Dim+ (Purple).
- 0-10V Dimming negative cable connect with driver Dim- (Grey).

STEP 4:



- Store all the wires inside the driver.
- Assemble the cover.

Compatible Dimmer List

JLM Series-Triac Dimmable Function						
Dimmer Brand	Model number (Dimmer)	Input Voltage	Dimming Range	Forward Phase or Reverse Phase	Compatible Driver(Series)	Remark
Lutron	MACL-153MH-LA	120V	20-100%	Forward Phase	JLM Series	Dimmer with spin button (adjust min. dimming 0-30%)
	SCL-153PR-WH	120V	0-100%	Forward Phase	JLM Series	
	DVCL-153PR-WH	120V	0-100%	Forward Phase	JLM Series	
	CTCL-153PDH-LA	120V	0-100%	Forward Phase	JLM Series	
	TGCL-153PR-WH	120V	0-100%	Forward Phase	JLM Series	
Leviton	VPI06-1LZ	120V	15-100%	Forward Phase	JLM Series	
	TTI06	120V	1-100%	Forward Phase	JLM Series	
	6602	120V	0-100%	Forward Phase	JLM Series	
	6672	120V	20-100%	Forward Phase	JLM Series	
	DZ6HD	120V	17-100%	Forward Phase	JLM Series	
Legrand	RHCL453PNICCV6	120V	6-100%	Forward Phase	JLM Series	
	WSCL450TCCCV4	120V	11-100%	Forward Phase	JLM Series	
	LSCL453PLACCV4	120V	11-100%	Forward Phase	JLM Series	
Crestron	CLW-DELVEX-P-W-S	120V	11-100%	Reverse Phase	JLM Series	

Lutron Dimmer:



MACL-153MH-LA



SCL-153PR-WH



DVCL-153PR-WH



CTCL-153PDH-LA



TGCL-153PR-WH

Leviton Dimmer:



VPI06-1LZ



TTI06



6602



6672



DZ6HD

Legrand Dimmer:



RHCL453PNICCV6



WSCL450TCCCV4



LSCL453PLACCV4

Creston Dimmer:



CLW-DELVEX-P-W-S

JLM Series-0-10V Dimmable Function						
Dimmer Brand	Model number (Dimmer)	Input Voltage	Dimming Range	Match	Compatible Driver (Series)	Remark
Arrow Hart	DF10P-C1	120-277V	5-100%	OK	JLM Series	Dimmer with spin button (adjust max. dimming)
Lutron	DVSTV-WH	120-277V	9-100%	OK	JLM Series	Dimmer with spin button (adjust min. dimming 9%-25%)
	DVTV-WH	120-277V	9-100%	OK	JLM Series	

Arrow Hart Dimmer:



DF10P-C1

Lutron Dimmer:



DVSTV-WH



DVTV-WH