

## JLM-30/60-24-NJ2 DRIVER WIRING GUIDE

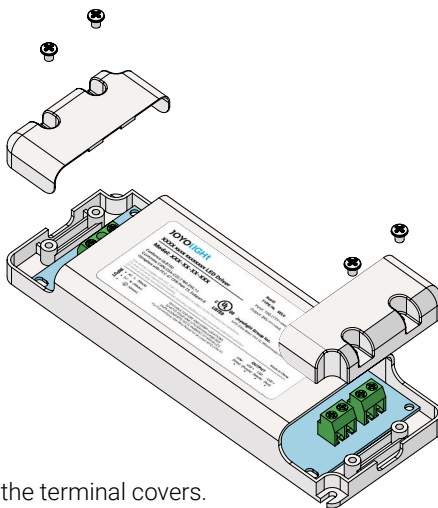
**⚠ WARNING** Failure to comply with the following installation instructions may result in death or serious injury.

- This product must be installed by a professional familiar with the construction and operation of the product and the hazards involved, in accordance with applicable national and local electrical and construction codes.
- To avoid electrical shock, make sure to disconnect power before install or service.
- Separation of field installed power limited circuit (dimming/control) wiring from the branch circuit wiring in the outlet box are to be made following local and/or national electrical installation codes.
- Do not use parts that are damaged.

**⚠ CAUTION**

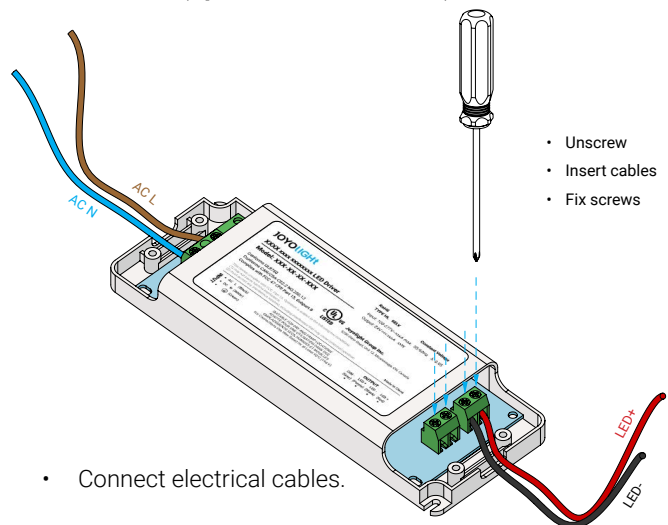
- If received with missing or damaged parts, please contact Joyolight at 647-496-8107 (CA) or 1-877-849-1942 (US).
- Handle the driver with care throughout the installation in case of damages.
- Unauthorized field repairs will void warranty.

### STEP 1:



- Remove the terminal covers.

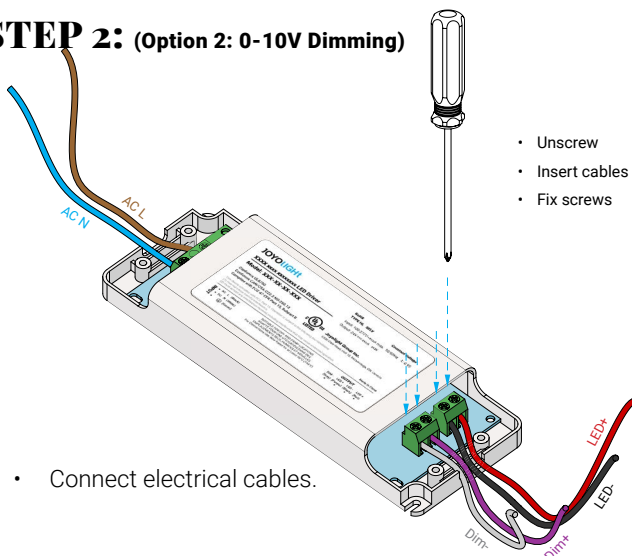
### STEP 2: (Option 1: Triac Dimmable)



- Connect electrical cables.

- Unscrew
- Insert cables
- Fix screws

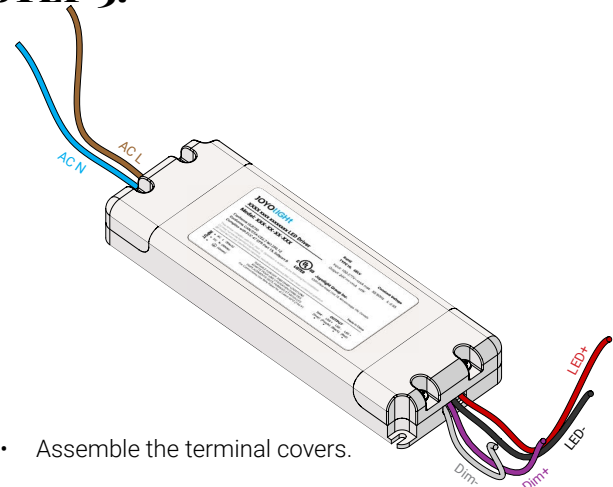
### STEP 2: (Option 2: 0-10V Dimming)



- Connect electrical cables.

- Unscrew
- Insert cables
- Fix screws

### STEP 3:



- Assemble the terminal covers.

#### JOYOlight

Joyolight reserves the rights change our products and specifications at anytime without prior notice and such modification shall be effective immediately. Contact Joyolight for the latest product information.

Five-year warranty

Contact us for complete terms and conditions.

JOYOlight GROUP INC.

#12, 5200 Dixie road  
Mississauga, ON, L4W 1E4

[www.joyolight.ca](http://www.joyolight.ca)

[info@joyolight.com](mailto:info@joyolight.com)  
1-877-849-1942 (US)  
647-496-8107 (CA)