

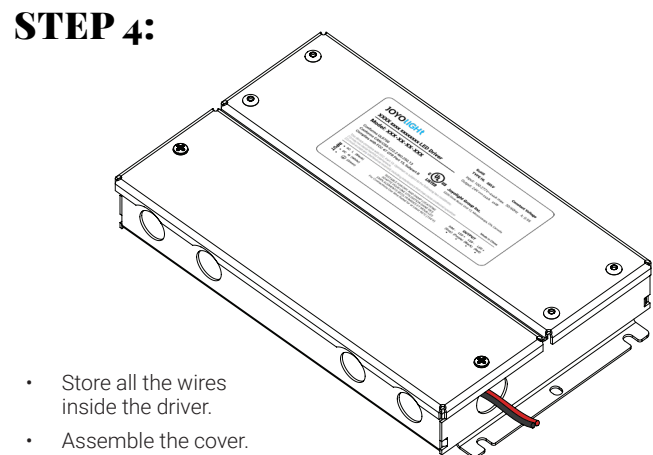
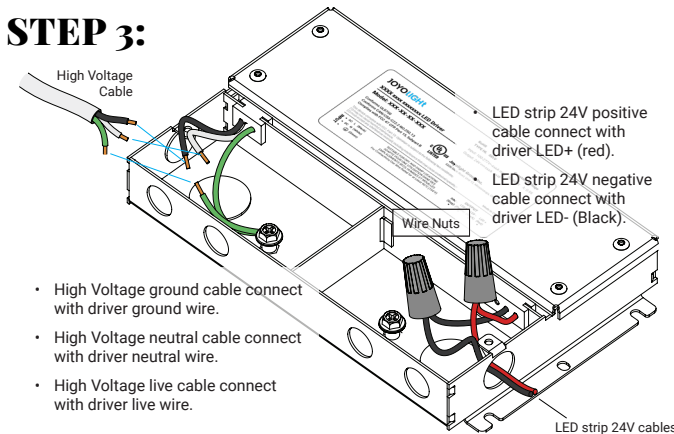
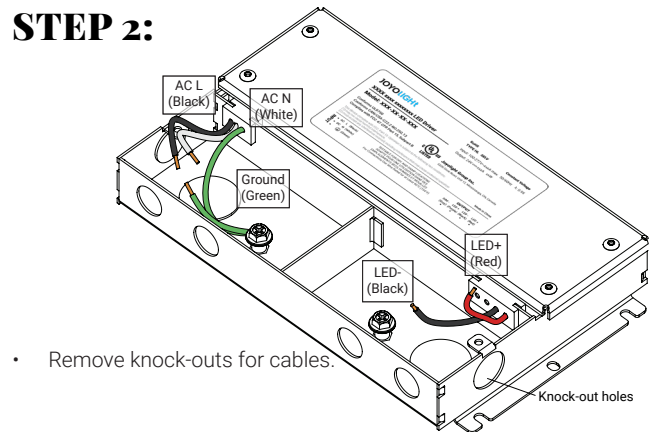
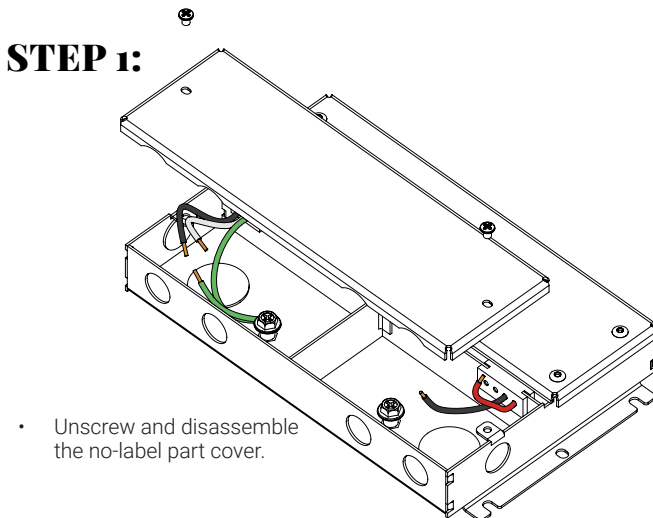
JLN-JP2 DRIVER WIRING GUIDE

⚠ WARNING Failure to comply with the following installation instructions may result in death or serious injury.

- This product must be installed by a professional familiar with the construction and operation of the product and the hazards involved, in accordance with applicable national and local electrical and construction codes.
- To avoid electrical shock, make sure to disconnect power before install or service.
- Separation of field installed power limited circuit (dimming/control) wiring from the branch circuit wiring in the outlet box are to be made following local and/or national electrical installation codes.
- Do not use parts that are damaged.

⚠ CAUTION

- If received with missing or damaged parts, please contact Joyolight at 647-496-8107 (CA) or 1-877-849-1942 (US).
- Handle the driver with care throughout the installation in case of damages.
- Unauthorized field repairs will void warranty.



JLM-JP2 DRIVER WIRING GUIDE

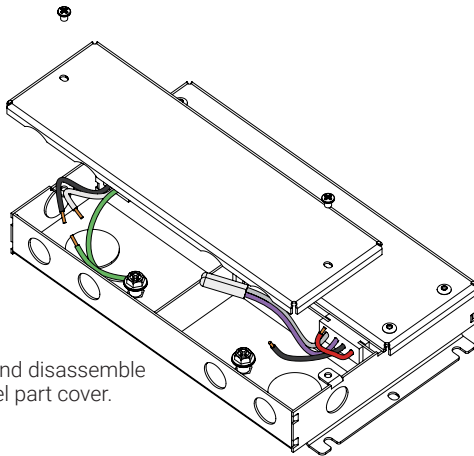
⚠ WARNING Failure to comply with the following installation instructions may result in death or serious injury.

- This product must be installed by a professional familiar with the construction and operation of the product and the hazards involved, in accordance with applicable national and local electrical and construction codes.
- To avoid electrical shock, make sure to disconnect power before install or service.
- Separation of field installed power limited circuit (dimming/control) wiring from the branch circuit wiring in the outlet box are to be made following local and/or national electrical installation codes.
- Do not use parts that are damaged.

⚠ CAUTION

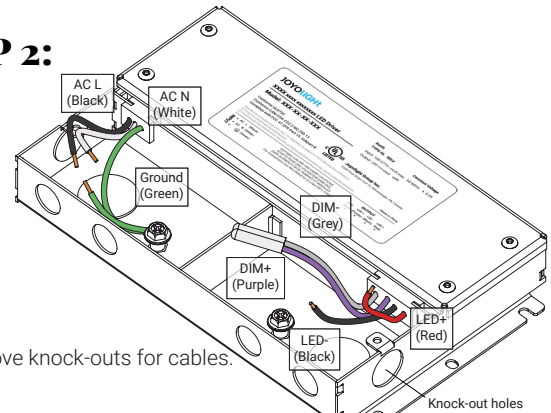
- If received with missing or damaged parts, please contact Joyolight at 647-496-8107 (CA) or 1-877-849-1942 (US).
- Handle the driver with care throughout the installation in case of damages.
- Unauthorized field repairs will void warranty.

STEP 1:



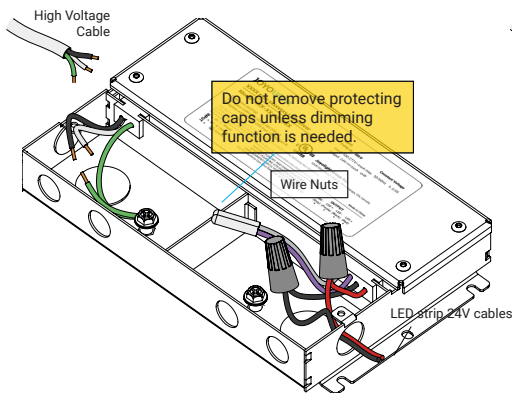
- Unscrew and disassemble the no-label part cover.

STEP 2:



- Remove knock-outs for cables.

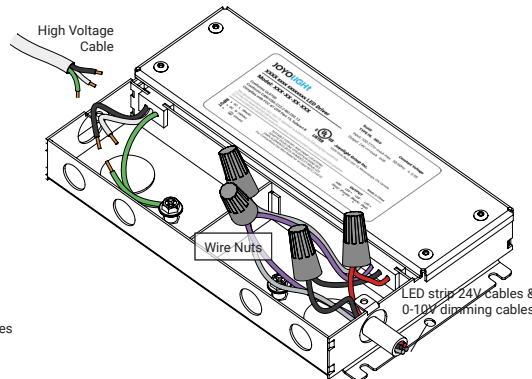
STEP 3: (Option 1: Non-Dimmable)



Twist the same color cables on together by wire nuts to connect the 24V cables.

- High Voltage ground cable connect with driver ground wire.
- High Voltage neutral cable connect with driver neutral wire.
- High Voltage live cable connect with driver live wire.
- LED strip 24V positive cable connect with driver LED+ (red).
- LED strip 24V negative cable connect with driver LED- (Black).

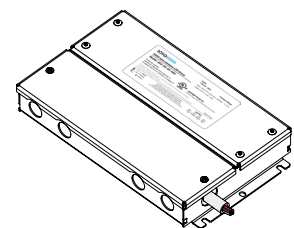
STEP 3: (Option 2: 0-10V/Triac Dimming)



Twist the same color cables on together by wire nuts to connect the 24V cables.

- High Voltage ground cable connect with driver ground wire.
- High Voltage neutral cable connect with driver neutral wire.
- High Voltage live cable connect with driver live wire.
- LED strip 24V positive cable connect with driver LED+ (red).
- LED strip 24V negative cable connect with driver LED- (Black).
- 0-10V Dimming positive cable connect with driver Dim+ (Purple).
- 0-10V Dimming negative cable connect with driver Dim- (Grey).

STEP 4:



- Store all the wires inside the driver.
- Assemble the cover.