

JOYOLIGHT™

LED Linear Lighting Expert

JOYOLIGHT™

LED Linear Lighting Expert



ABOUT US

Joyolight - linear lighting expert, LED linear lighting solution maker and LED manufacturer. We are located in Montreal, Toronto(2017), and Vancouver(2018) in Canada.

Joyolight is a wholly owned subsidiary of Huacai Group China, and the head office is located in Shenzhen in China. Huacai Group consists of Joyolight Canada, Joyolight China, and Colors China. We have integrated all the technology, R&D center, raw material, logistics, and human resources based on Huacai Group, and come to Canada to providing local services for North America clients.

We have devoted ourselves to the LED illumination since its foundation in 2007, which integrates of manufacture, R&D, and brand distribution. Leading the market with the latest high-end Technology.

The head office is located in Kingkey Times Square, Futian District, Shenzhen, and our manufacture centers are the self-built Huacai Industrial Park in Yangzhou City, Jiangsu province.

Our self-build manufacture center has integrated all the R&D team, QA management, production supply chain, test lab and manufacture with encapsulation, SMD&SMT, aluminum profile production line together.

Huacai Group is one of the national high-tech enterprises, and we are aiming to provide our customers with a full range of service experience.

Joyolight is also building up the marketing and serviceability together with all customers and our teams, to distribute the high-quality products to the user's market. Our business network is extending to Russia, Europe, America, Canada and all around the world. Joyolight products have passed ISO9001, ISO14001, CE, ROHS, CCC, ETL, ETC.

À propos de nous

Joyolight - expert en éclairage linéaire, fabricant de solutions d'éclairage linéaire LED et fabricant de LED. Nous sommes situés à Montréal, Toronto (2017) et Vancouver (2018) au Canada.

Joyolight est une filiale en propriété exclusive de Huacai Group Chine, et le siège social est situé à Shenzhen en Chine. Le groupe Huacai est constitué de Joyolight Canada, Joyolight China et de Colors China. Nous avons intégré toute la technologie, le centre de R & D, la matière première, la logistique et les ressources humaines basées sur Huacai Group, et viennent au Canada pour fournir des services locaux pour les clients en Amérique du Nord.

Nous nous sommes consacrés à l'éclairage LED depuis sa fondation en 2007, qui intègre la fabrication, la R & D et la distribution de la marque. Diriger le marché avec la dernière technologie haut de gamme.

Le siège social est situé à Kingkey Times Square, district de Futian, Shenzhen, et nos centres de fabrication sont l'auto-construction Huacai Industrial Park dans la ville de Yangzhou, province de Jiangsu. Notre centre de fabrication d'auto-construction a intégré toute l'équipe de R & D, la gestion d'assurance qualité, la chaîne d'approvisionnement de production, laboratoire d'essai et la fabrication

avec l'encapsulation, SMD et SMT, ligne de production de profil d'aluminium ensemble. Huacai Groupe est l'une des entreprises nationales de haute technologie, et nous visons à fournir à nos clients une gamme complète d'expérience de service.

Joyolight développe également la commercialisation et l'entretien avec tous les clients et nos équipes afin de distribuer les produits de haute qualité sur le marché des utilisateurs. Notre réseau d'affaires s'étend à la Russie, l'Europe, l'Amérique, le Canada et partout dans le monde. Les produits de Joyolight ont passé ISO9001, ISO14001, CE, ROHS, CCC, ETL, ETC.

CONTENT CONTENU

1.0 LED LINEAR LIGHTS LIST

19

2.0 LED LINEAR LIGHTS LIST

63

LED STRIP LIST

79

LED DRIVER LIST

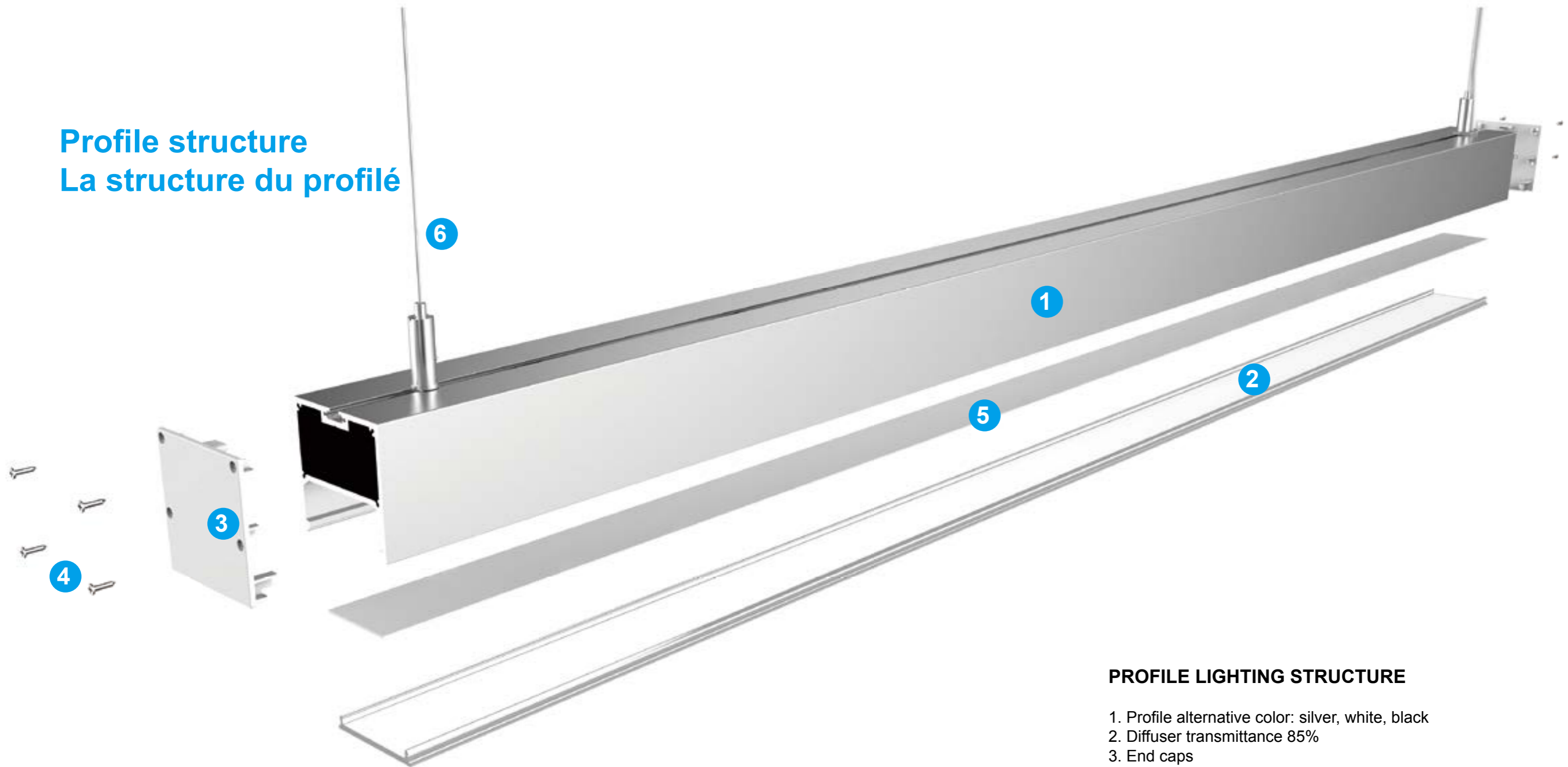
91



1.0 LED Linear Lights



Profile structure La structure du profilé



PROFILE LIGHTING STRUCTURE

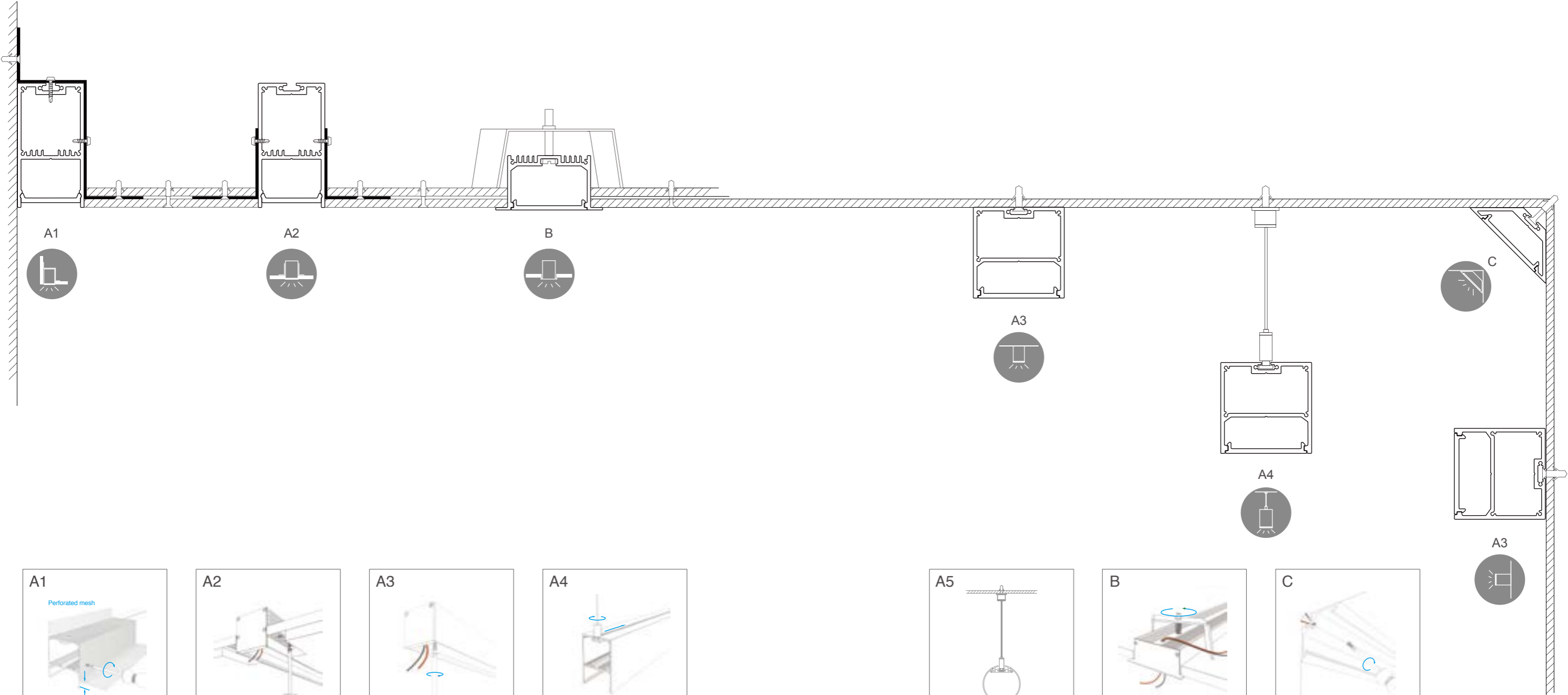
1. Profile alternative color: silver, white, black
2. Diffuser transmittance 85%
3. End caps
4. Screws
5. Light source
6. Accessories

Structure de profils de la lumière DEL

1. Profilé couleur Alternative : argent, blanc , noir
2. Transmission du diffuseur 85%
3. Couverture de fin
4. Vis
5. Source de lumière
6. Accessoires

PROFILE INSTALLATION

L'installation du profilé



A1
Perforated mesh
12mm
LS Recessed
Encastré

A2
LS Recessed
Encastré

A3
LS Surface Mounted
Gendarmerie surface

A4
LS Pendant
Pendentif

A5
LT Pendant
Pendentif

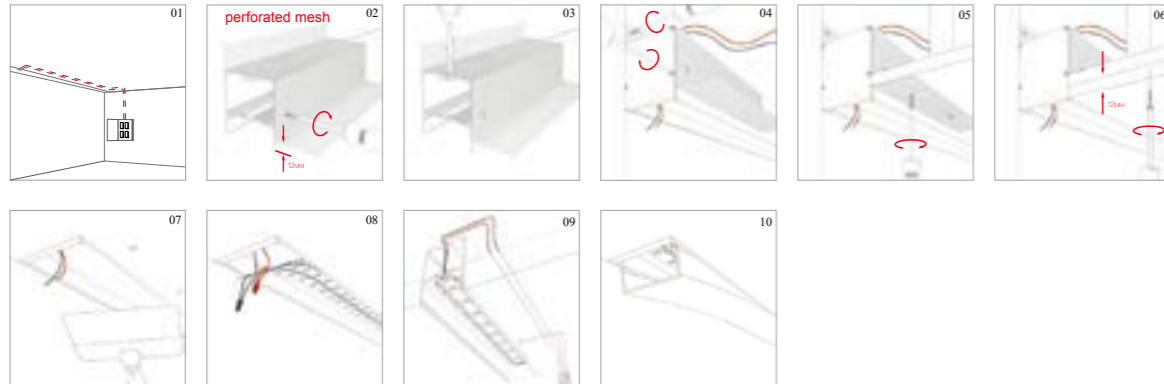
B
LE Recessed
Encastré

C
LG Corner Mounted
Gendarmerie coin

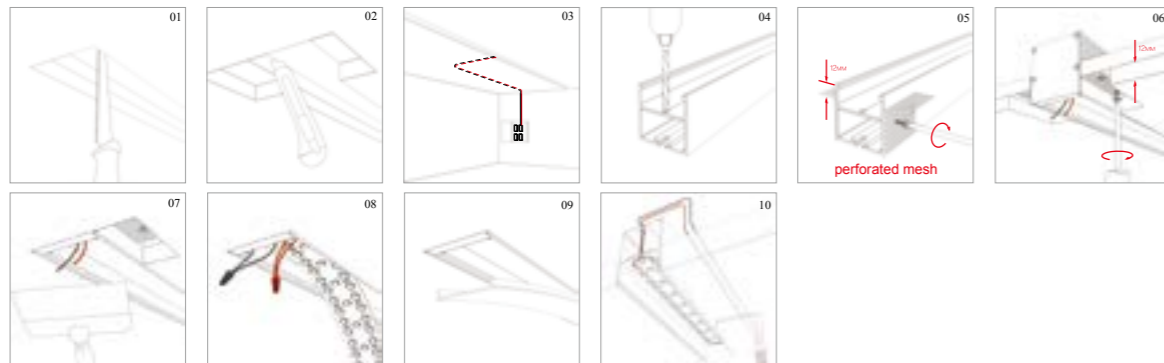


INSTALLATION STEPS ÉTAPES D'INSTALLATION

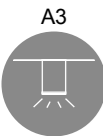
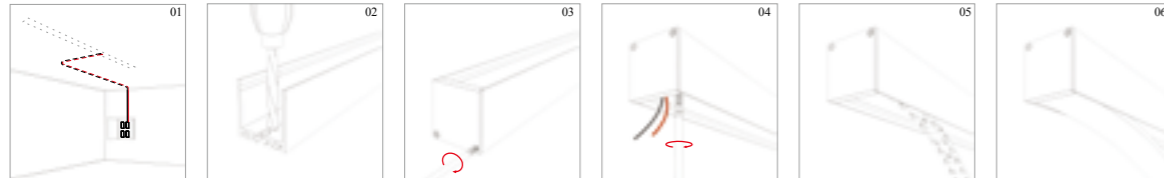
RECESSED Encastré



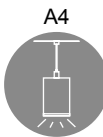
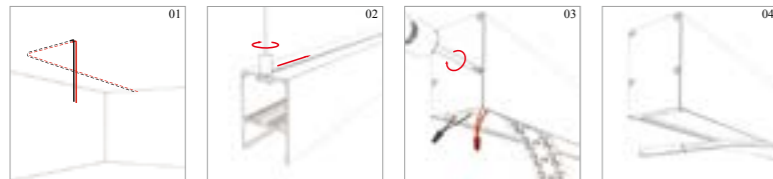
RECESSED Encastré



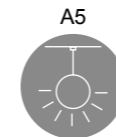
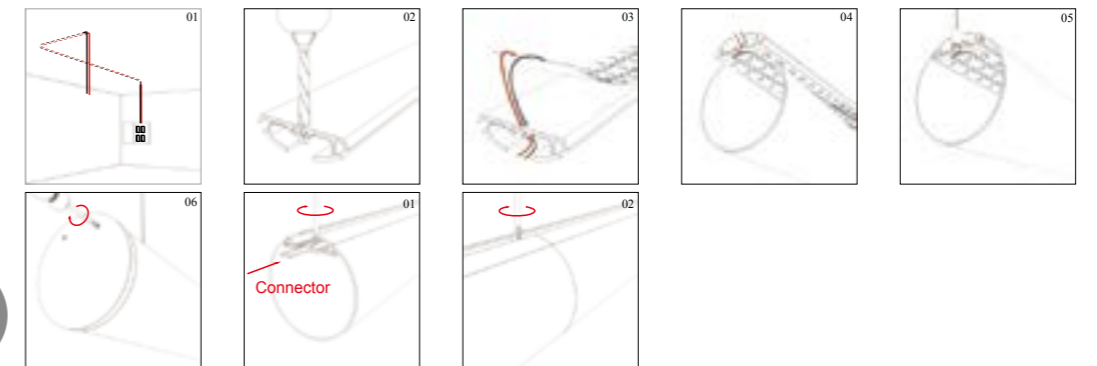
SURFACE MOUNTED Gendarmerie surface



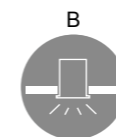
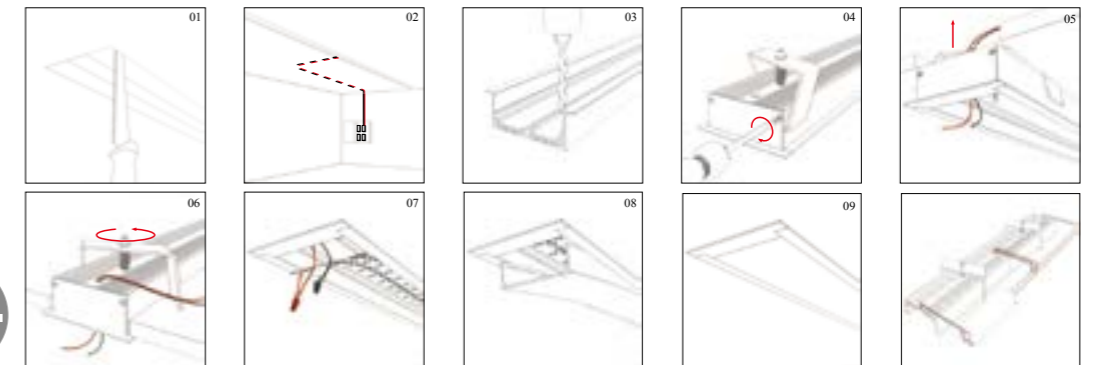
PENDANT Pendentif



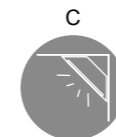
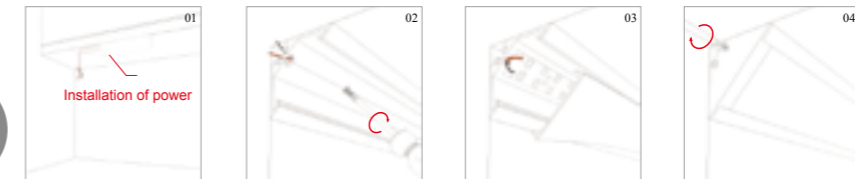
PENDANT Pendentif



RECESSED Encastré

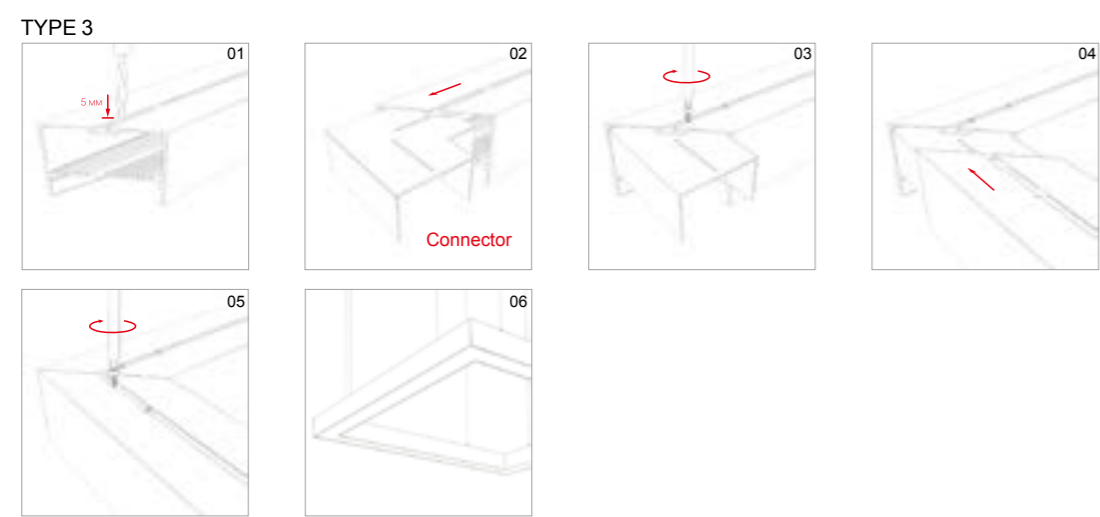
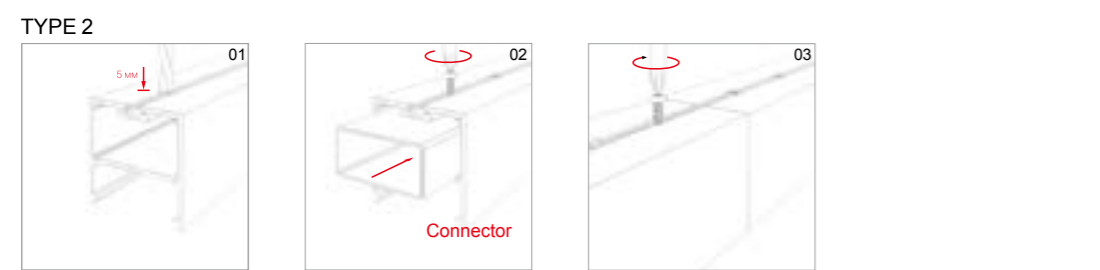
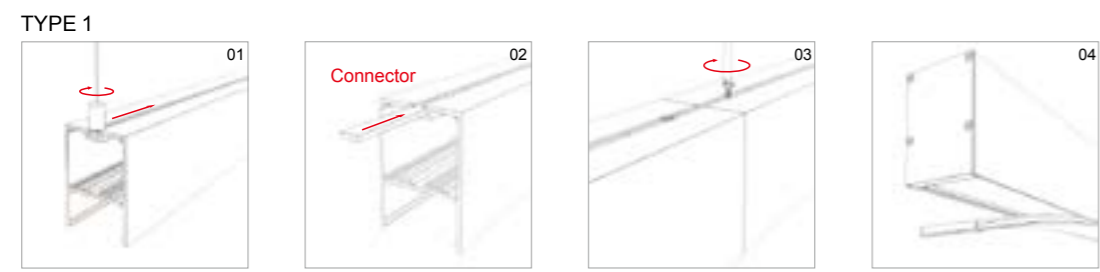


CORNER MOUNTED Gendarmerie coin



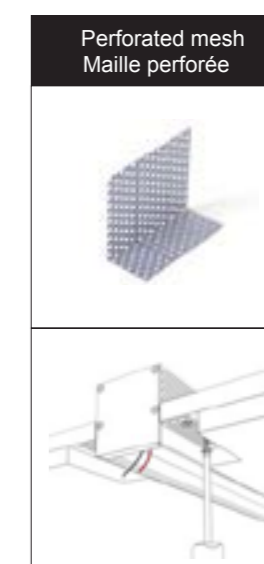
CONNECTION TYPE

Type de connexion



ACCESSORIES

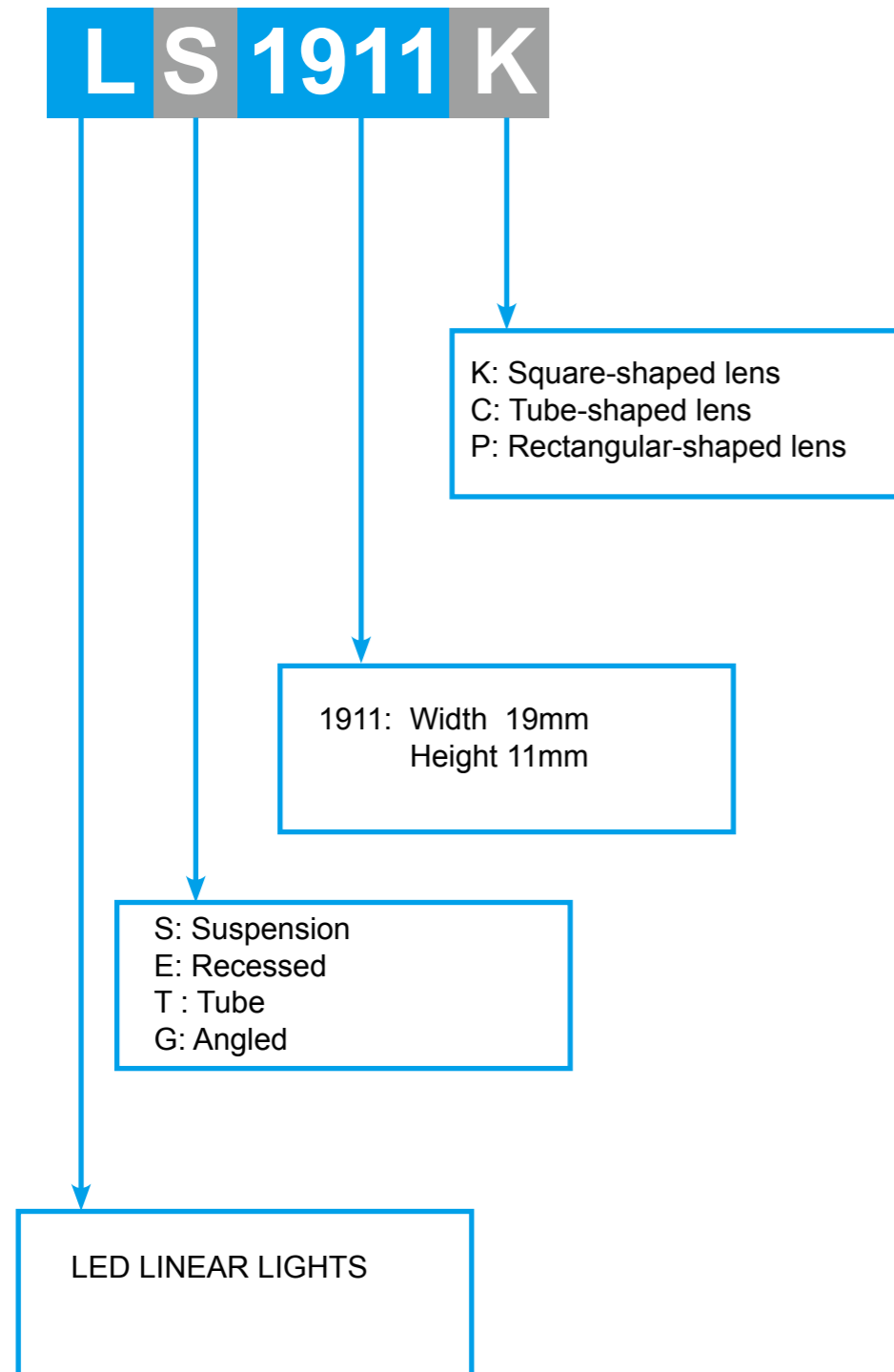
Accessoires



The installation of longer than 2.5 meters
La mise en place de plus de 2,5 mètres

PRODUCT CODE

Code produit



PRODUCT MODEL

Modèle du produit

LS SERIES

LS3535



LS5050



LS7477



LE SERIES

LE4932



LE6332



LE8832



LT SERIES

LT60



LT120



DECOR SERIES

LS1911C



LS1911K



LS1911P



LG3030C



LS0709

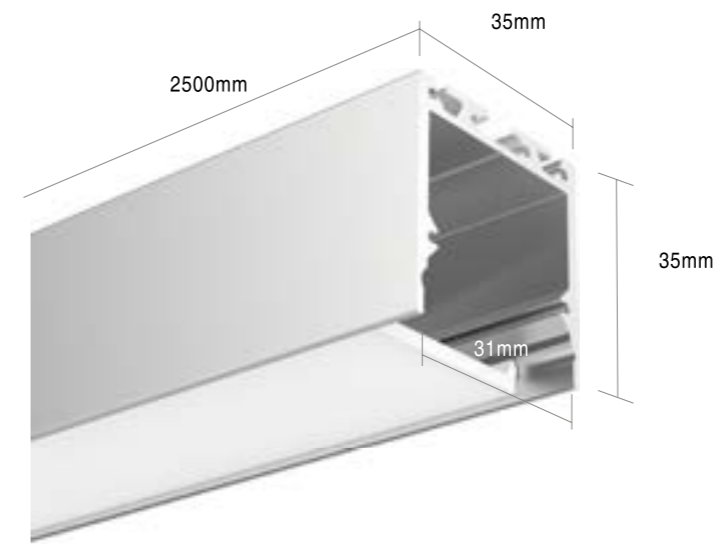


LS1613



LE2613





LS3535

STANDARD LED STRIP

Bande de LED standard



Code	Power	Voltage	Lumen	Min Cut
D8252	26 W/M 8 W/ft	24 V	4000K 2750 LM/m 838 LM/ft	83 MM(21 LED)

STANDARD ACCESSORIES

Accessoires standard



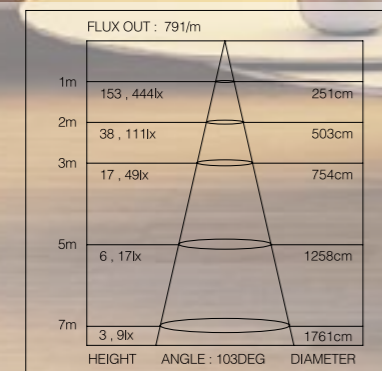
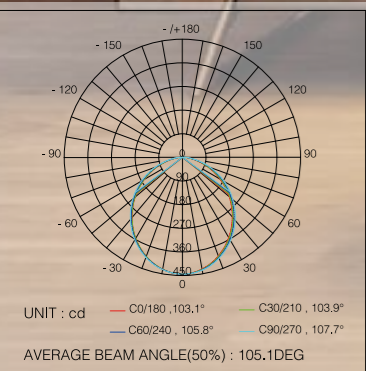
MC-LS3535
Mounting clips
2 pcs for 4 Feet
4 pcs for 8 Feet

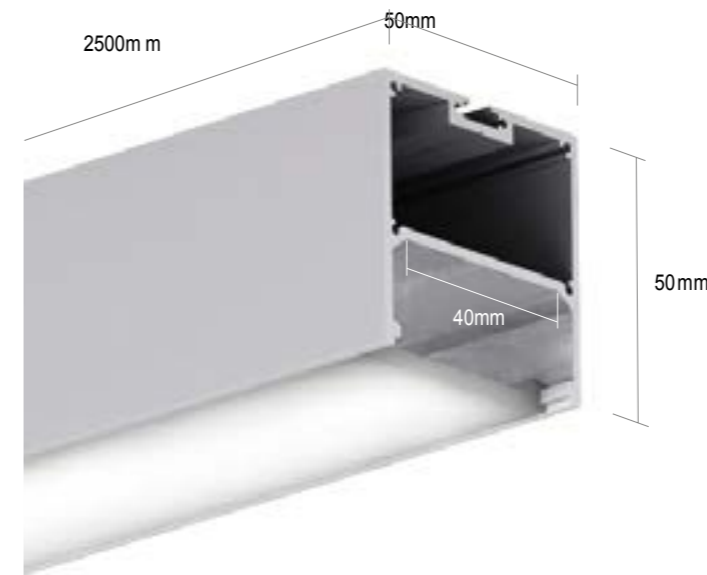


CR1001/ CR1002
Pendant wire
CR1001: 4 Meter
CR1002: 2 Meter



CN1003
Extension connector
1 Meter





LS5050

STANDARD LED STRIP

Bande de LED standard



Code	Power	Voltage	Lumen	Min Cut
D8280	29 W/M 8.8 W/ft	24 V	4000K 3000 LM/m 915 LM/ft	100 MM(28 LED)

STANDARD ACCESSORIES

Accessoires standard



CR1001/ CR1002
Pendant wire
CR1001: 4 Meter
CR1002: 2 Meter



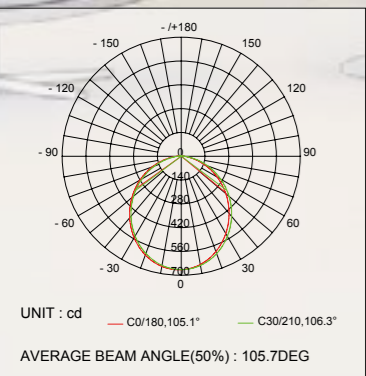
CN1003
Extension connector
1 Meter



CN5003
Extension connector

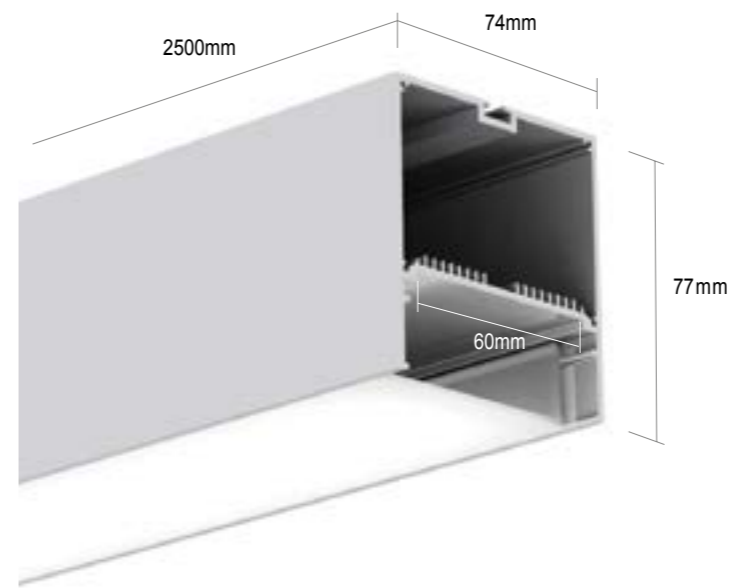


CN5004
Corner connector



FLUX OUT : 1225/m

HEIGHT	ANGLE: 105DEG	DIAMETER
1m	148 , 448x	318cm
2m	55 , 166lx	522cm
3m	24 , 74lx	783cm
5m	13 , 41lx	1044cm
7m	8 , 26lx	1305cm



LS7477



STANDARD LED STRIP

Bande de LED standard



Code	Power	Voltage	Lumen	Min Cut
D8350	36 W/M 11 W/ft	24 V	4000K 3800 LM/m 1158 LM/ft	100 MM(35 LED)

STANDARD ACCESSORIES

Accessoires standard



CR1001/ CR1002
Pendant wire
CR1001: 4 Meter
CR1002: 2 Meter



CN1002
Extnsion connector
1 Meter



CN7001
Extnsion connector



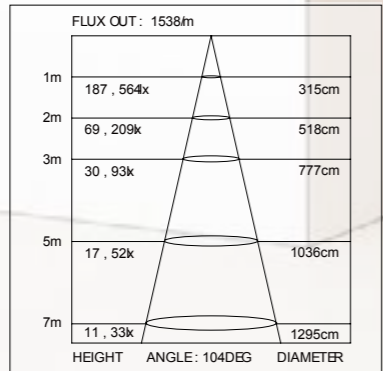
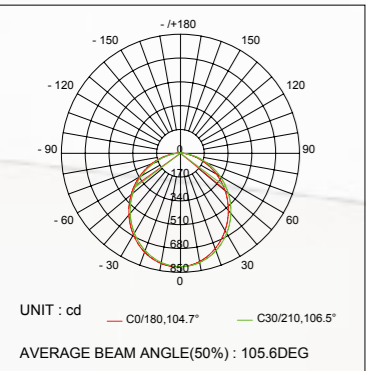
CN7002
Corner connector

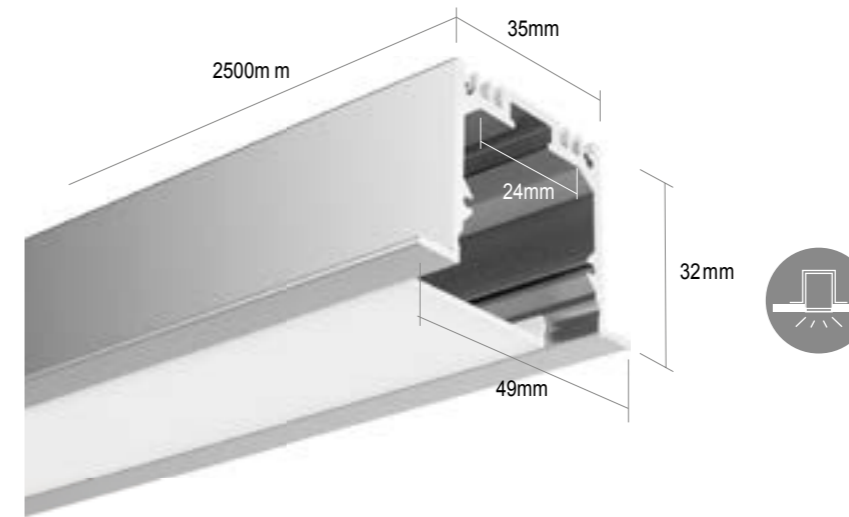


NT6002
Perforated Mesh



NT7001
Perforated Mesh





LE4932

STANDARD LED STRIP

Bande de LED standard



Code	Power	Voltage	Lumen	Min Cut
D8252	26 W/M 8 W/ft	24 V	4000K 2750 LM/m 838 LM/ft	83 MM(21 LED)

STANDARD ACCESSORIES

Accessoires standard



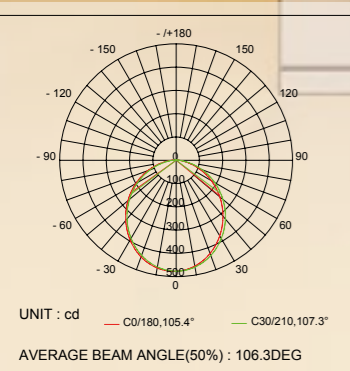
MC-LE4932-1
Mounting clips



MC-LE4932-2
Mounting clips



CN1002
Extnsion connector
1 Meter

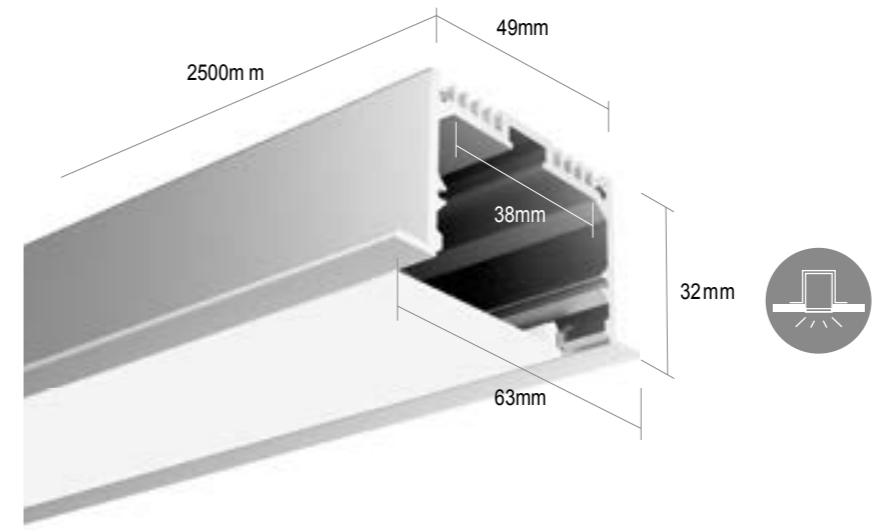


FLUX OUT : 839/m

HEIGHT	ANGLE : 105DEG	DIAMETER
1m	102 , 307lx	319cm
2m	37 , 114lx	524cm
3m	16 , 50lx	786cm
5m	9 , 28lx	1049cm
7m	6 , 18lx	1311cm



LE6332



STANDARD LED STRIP

Bande de LED standard



Code	Power	Voltage	Lumen	Min Cut
D8280	29 W/M 8.8 W/ft	24 V	4000K 3000 LM/m 915 LM/ft	100 MM(28 LED)

STANDARD ACCESSORIES

Accessoires standard



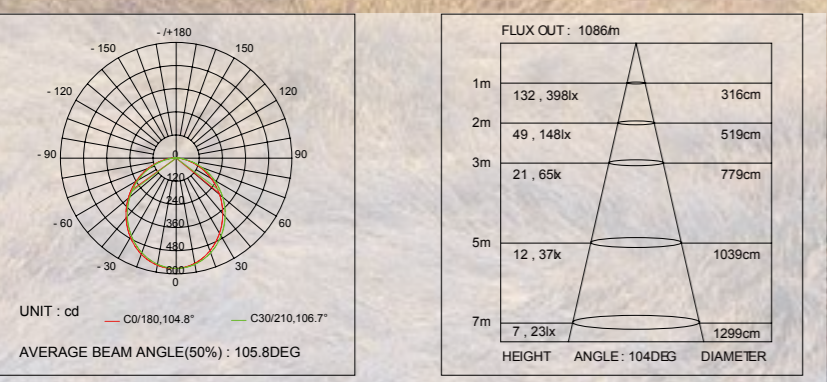
MC-LE6332-1
Mounting clips

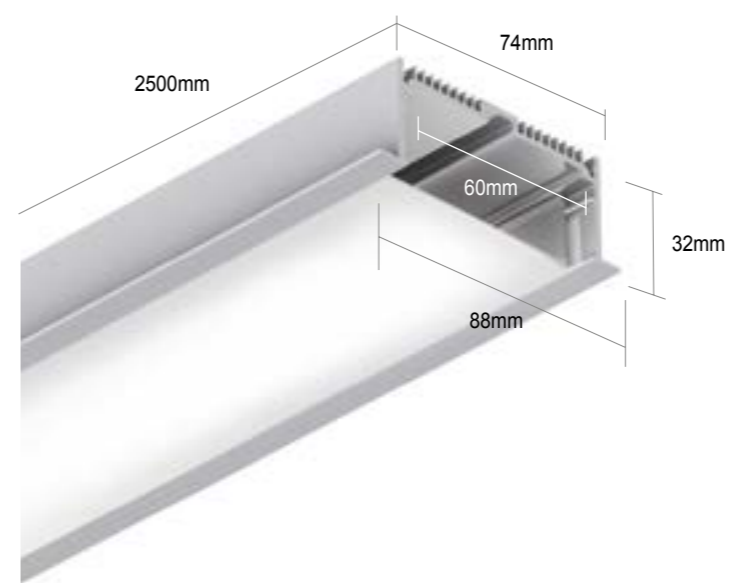


MC-LE6332-2
Mounting clips



CN1002
Extnsion connector
1 Meter





LE8832

STANDARD LED STRIP

Bande de LED standard



Code	Power	Voltage	Lumen	Min Cut
D8350	36 W/M 11 W/ft	24 V	4000K 3800 LM/m 1158 LM/ft	100 MM(35 LED)

STANDARD ACCESSORIES

Accessoires standard



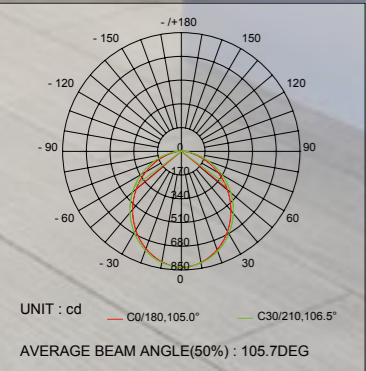
MC-LE8832-1
Mounting clips



MC-LE8832-2
Mounting clips

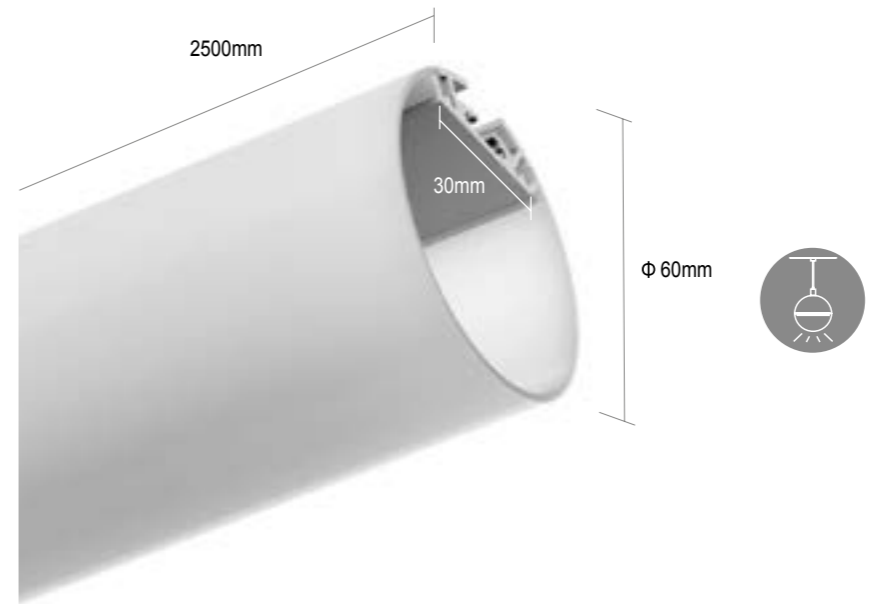


CN1002
Extnsion connector
1 Meter



FLUX OUT : 1515lm

HEIGHT	ANGLE : 104DEG	DIAMETER
1m	184 , 557lx	317cm
2m	68 , 207lx	520cm
3m	30 , 92lx	781cm
5m	17 , 51lx	1041cm
7m	10 , 33lx	1302cm



LT60

STANDARD LED STRIP

Bande de LED standard



Code	Power	Voltage	Lumen	Min Cut
D8252	26 W/M 8 W/ft	24 V	4000K 2750 LM/m 838 LM/ft	83 MM(21 LED)

STANDARD ACCESSORIES

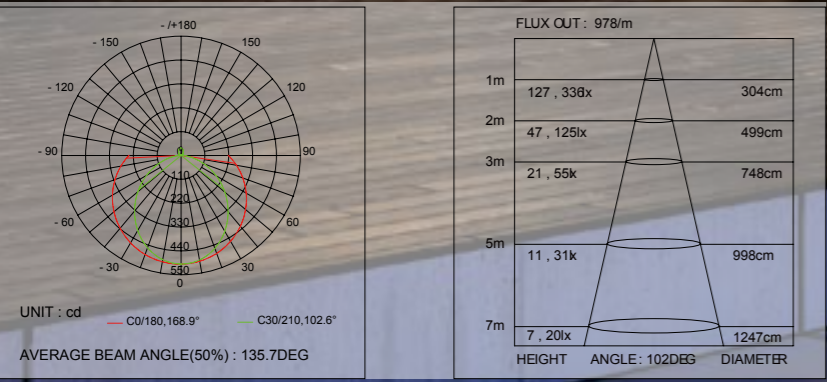
Accessoires standard

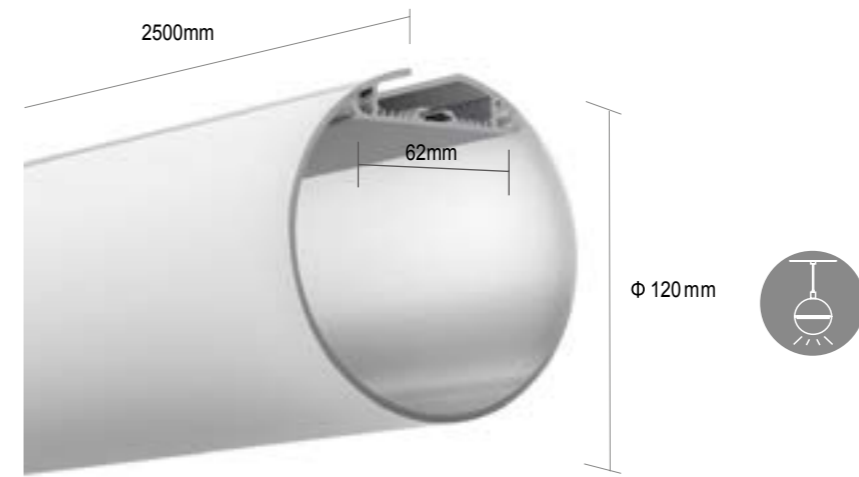


CR1001/ CR1002
Pendant wire
CR1001: 4 Meter
CR1002: 2 Meter



CN1003
Extension connector
1 Meter





LT120

STANDARD LED STRIP

Bande de LED standard



Code	Power	Voltage	Lumen	Min Cut
D8350	36 W/M 11 W/ft	24 V	4000K 3800 LM/m 1158 LM/ft	100 MM(35 LED)

STANDARD ACCESSORIES

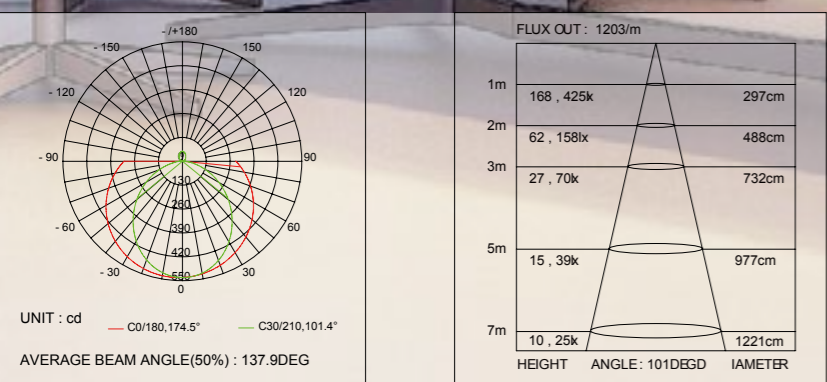
Accessoires standard



CR1001/ CR1002
Pendant wire
CR1001: 4 Meter
CR1002: 2 Meter

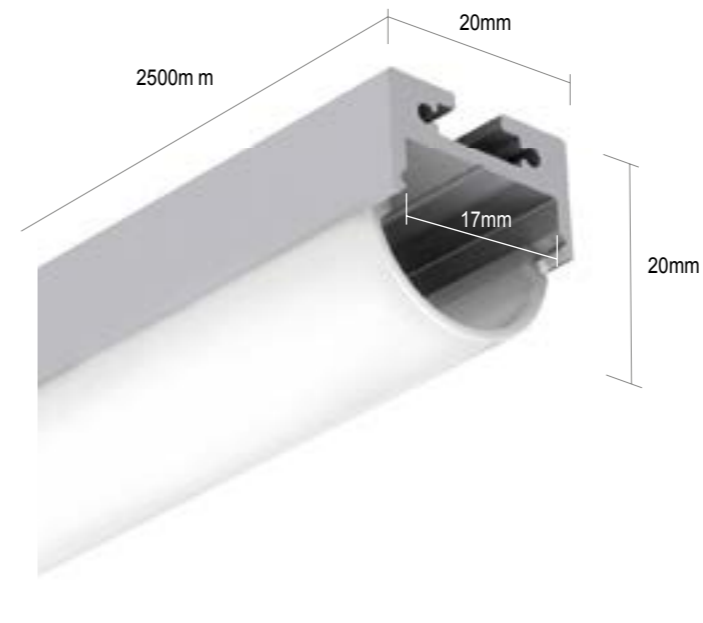


CN1003
Extension connector
1 Meter





LS1911C



STANDARD LED STRIP

Bande de LED standard



Code	Power	Voltage	Lumen	Min Cut
D8196	20 W/M 6 W/ft	24 V	4000K 2100 LM/m 640 LM/ft	71 MM(14 LED)

STANDARD ACCESSORIES

Accessoires standard



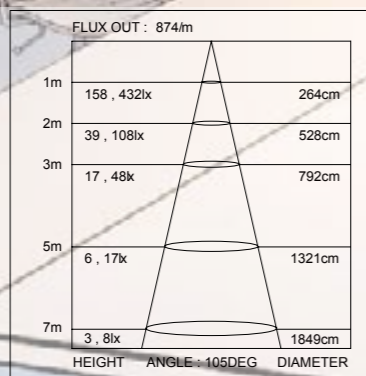
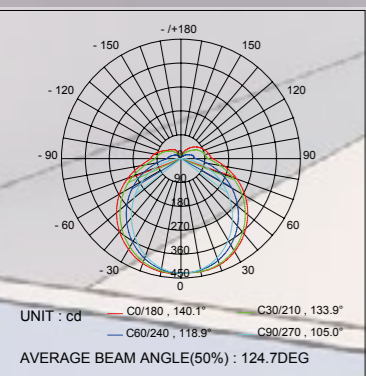
CR1001/ CR1002
Pendant wire
CR1001: 4 Meter
CR1002: 2 Meter

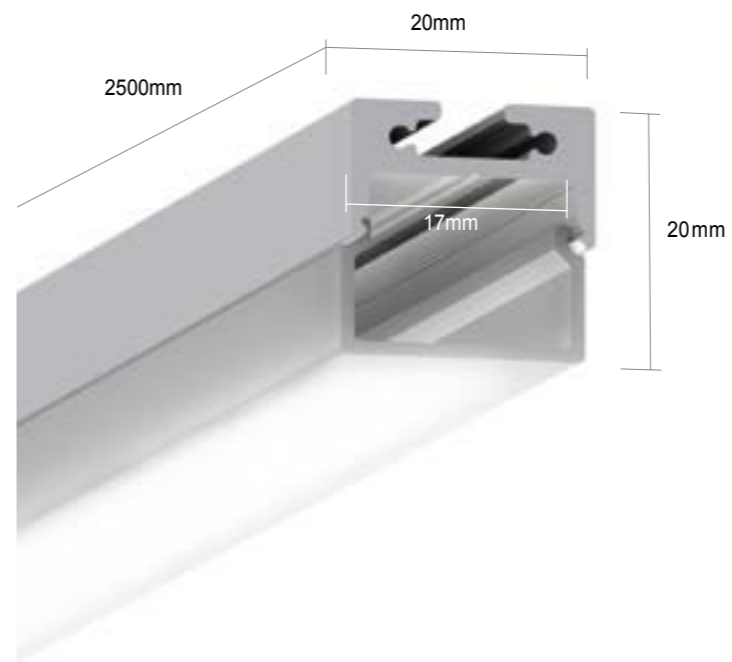


MC-LS1911
Mounting clips



CN1003
Extension connector
1 Meter





LS1911K

STANDARD LED STRIP

Bande de LED standard



Code	Power	Voltage	Lumen	Min Cut
D8196	20 W/M 6 W/ft	24 V	4000K 2100 LM/m 640 LM/ft	71 MM(14 LED)

STANDARD ACCESSORIES

Accessoires standard



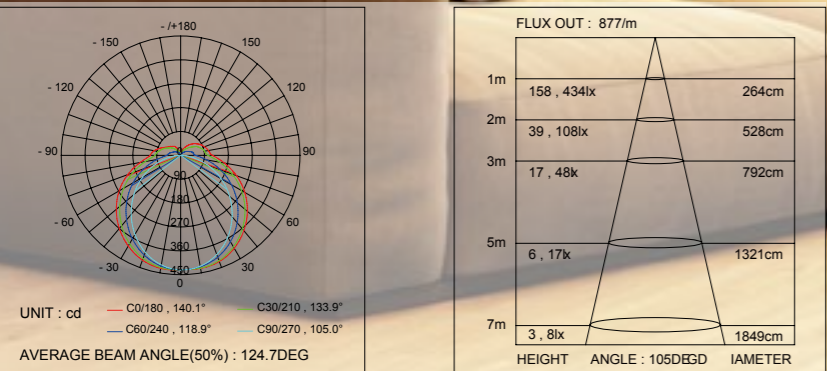
CR1001/ CR1002
Pendant wire
CR1001: 4 Meter
CR1002: 2 Meter

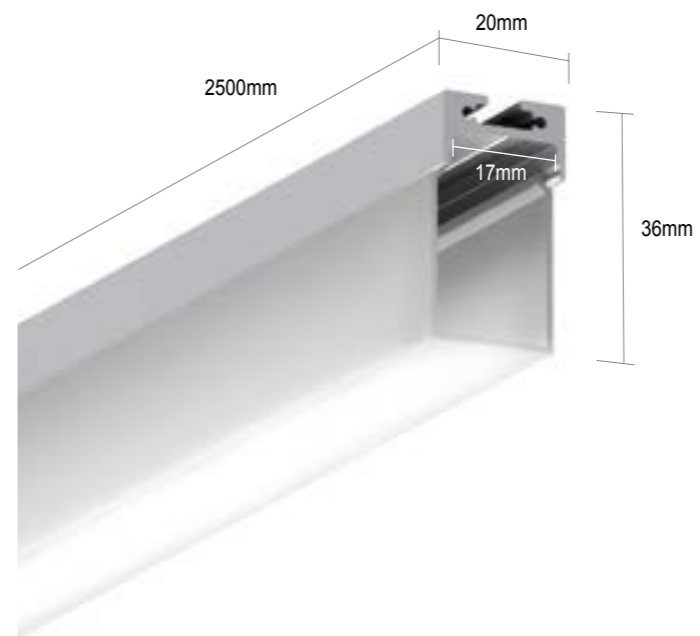


MC-LS1911
Mounting clips



CN1003
Extension connector
1 Meter





LS1911P

STANDARD LED STRIP Bande de LED standard



Code	Power	Voltage	Lumen	Min Cut
D8196	20 W/M 6 W/ft	24 V	4000K 2100 LM/m 640 LM/ft	71 MM(14 LED)

STANDARD ACCESSORIES Accessoires standard



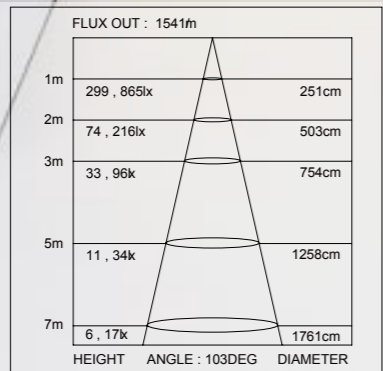
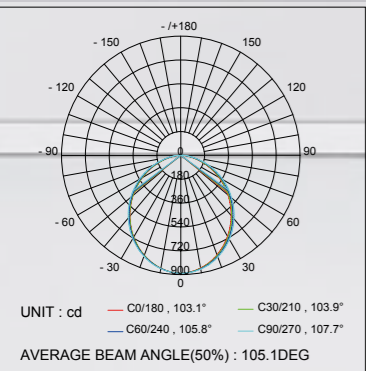
CR1001/ CR1002
Pendant wire
CR1001: 4 Meter
CR1002: 2 Meter

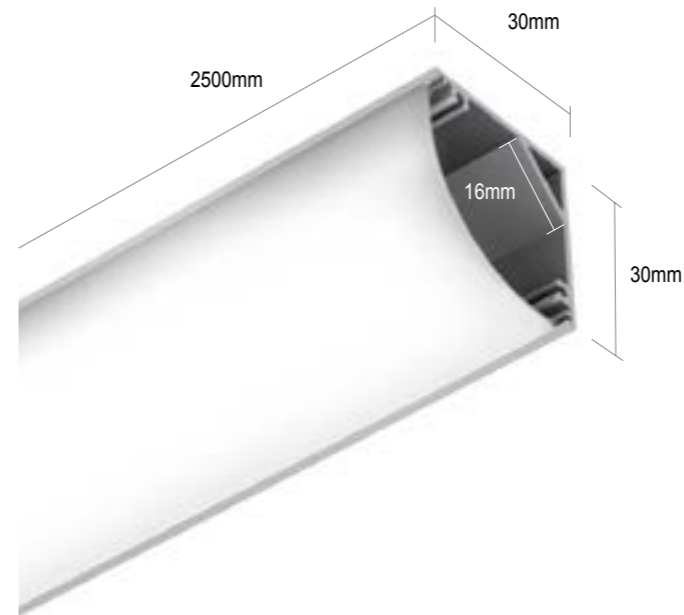


MC-LS1911
Mounting clips



CN1003
Extension connector
1 Meter





LG3030C



STANDARD LED STRIP

Bande de LED standard



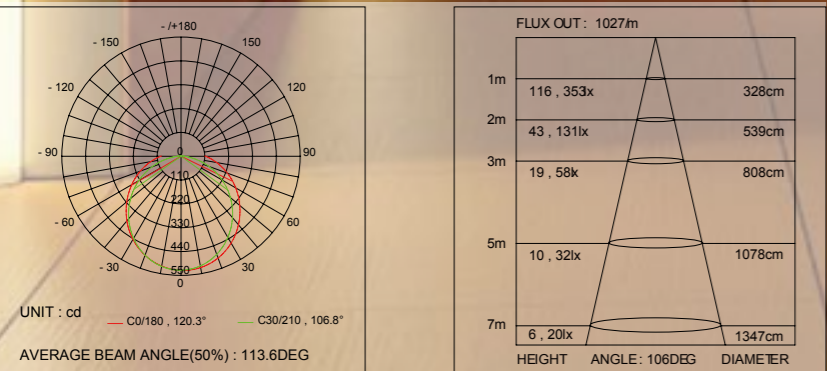
Code	Power	Voltage	Lumen	Min Cut
D8196	20 W/M 6 W/ft	24 V	4000K 2100 LM/m 640 LM/ft	71 MM(14 LED)

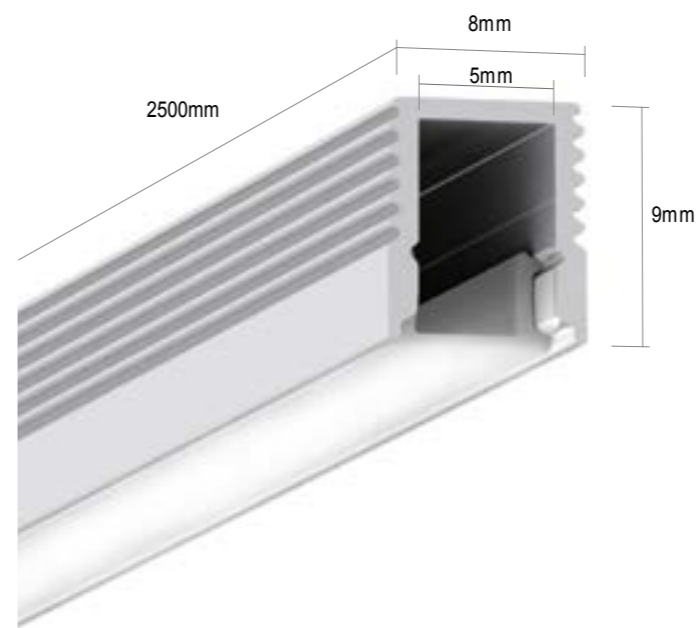
STANDARD ACCESSORIES

Accessoires standard

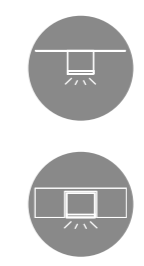


MC-LG3030C
Mounting clips





LS0709



STANDARD LED STRIP

Bande de LED standard



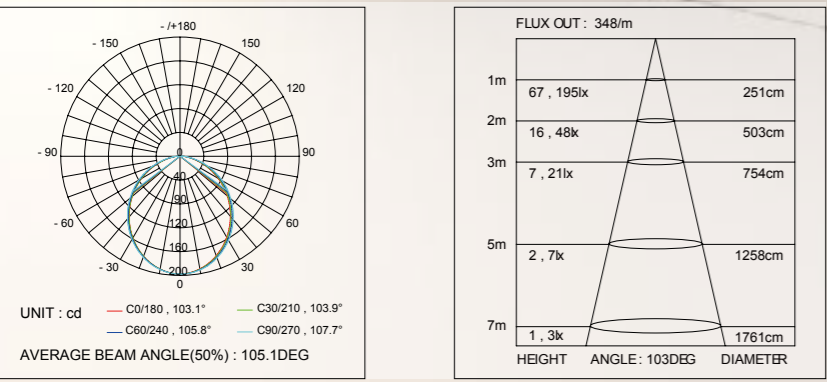
Code	Power	Voltage	Lumen	Min Cut
D3120	9.6 W/M 3.0 W/ft	12 V	4000K 655 LM/m 200 LM/ft	25 MM(3 LED)

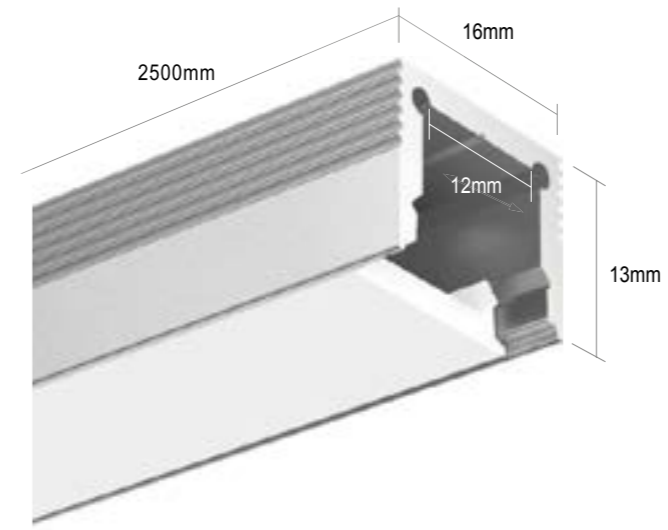
STANDARD ACCESSORIES

Accessoires standard

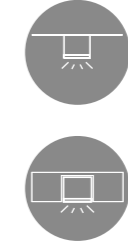


MC-LS0709
Mounting clips





LS1613



STANDARD LED STRIP Bande de LED standard

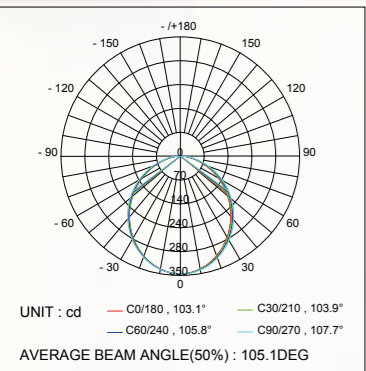


Code	Power	Voltage	Lumen	Min Cut
D898	10 W/M 3 W/ft	24 V	4000K 1060 LM/m 323 LM/ft	71 MM(7 LED)

STANDARD ACCESSORIES Accessoires standard



MC-LS1613
Mounting clips

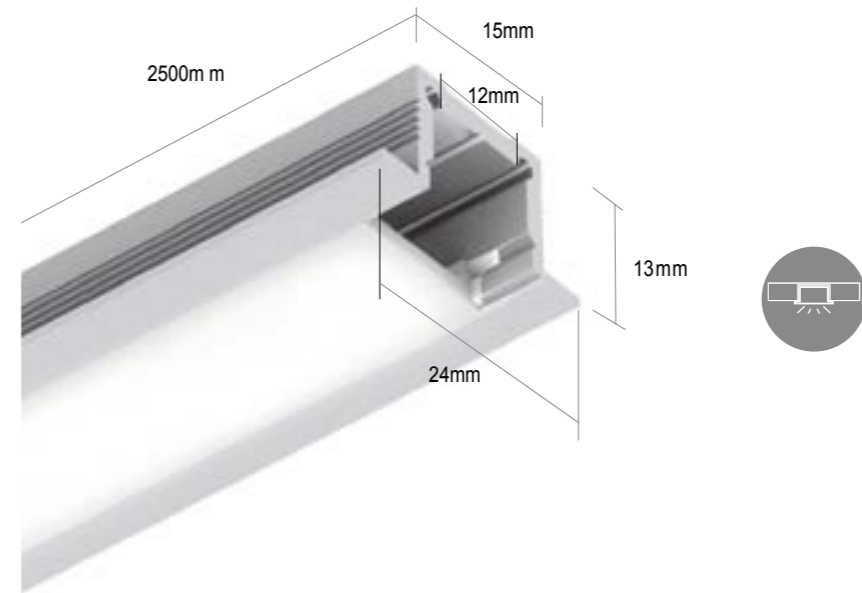


FLUX OUT : 570/m

HEIGHT	ANGLE: 103DEG	DIAMETER
1m	110 , 320x	251cm
2m	27 , 80k	503cm
3m	12 , 35k	754cm
5m	4 , 12k	1258cm
7m	2 , 6k	1761cm



LE2613



STANDARD LED STRIP

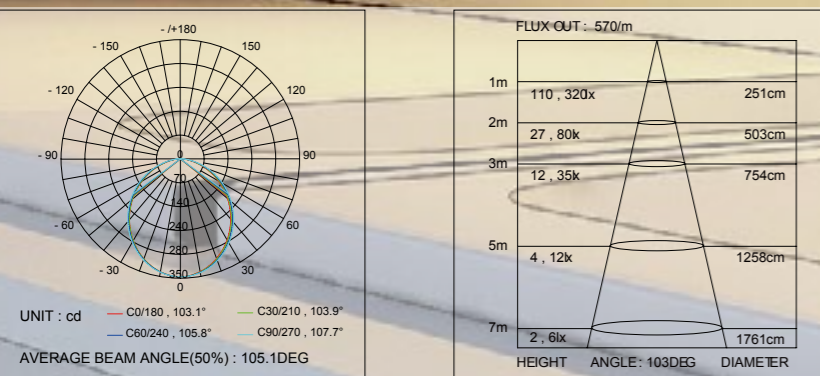
Bande de LED standard

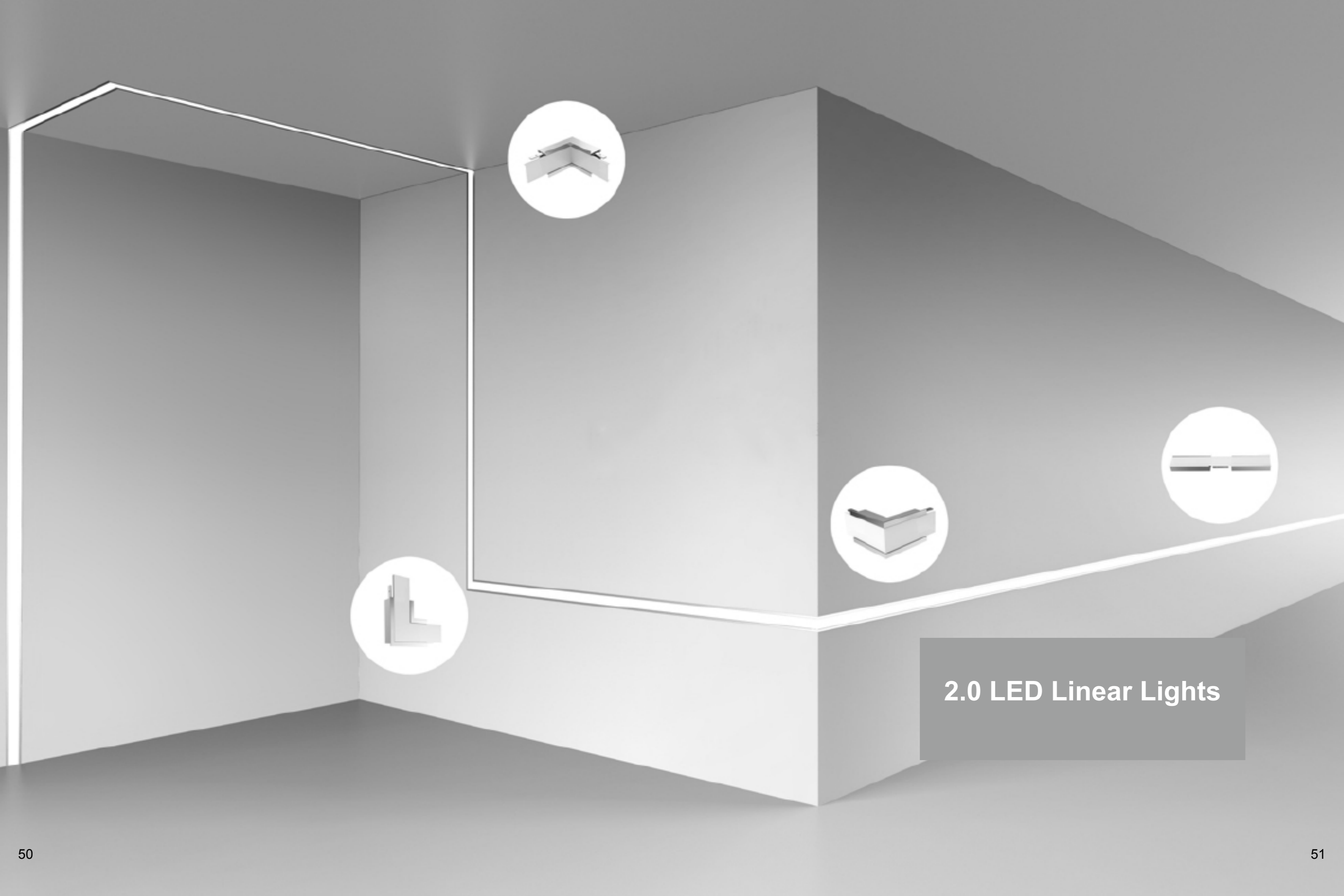


Code	Power	Voltage	Lumen	Min Cut
D898	10 W/M 3 W/ft	24 V	4000K 1060 LM/m 323 LM/ft	71 MM(7 LED)

STANDARD ACCESSORIES

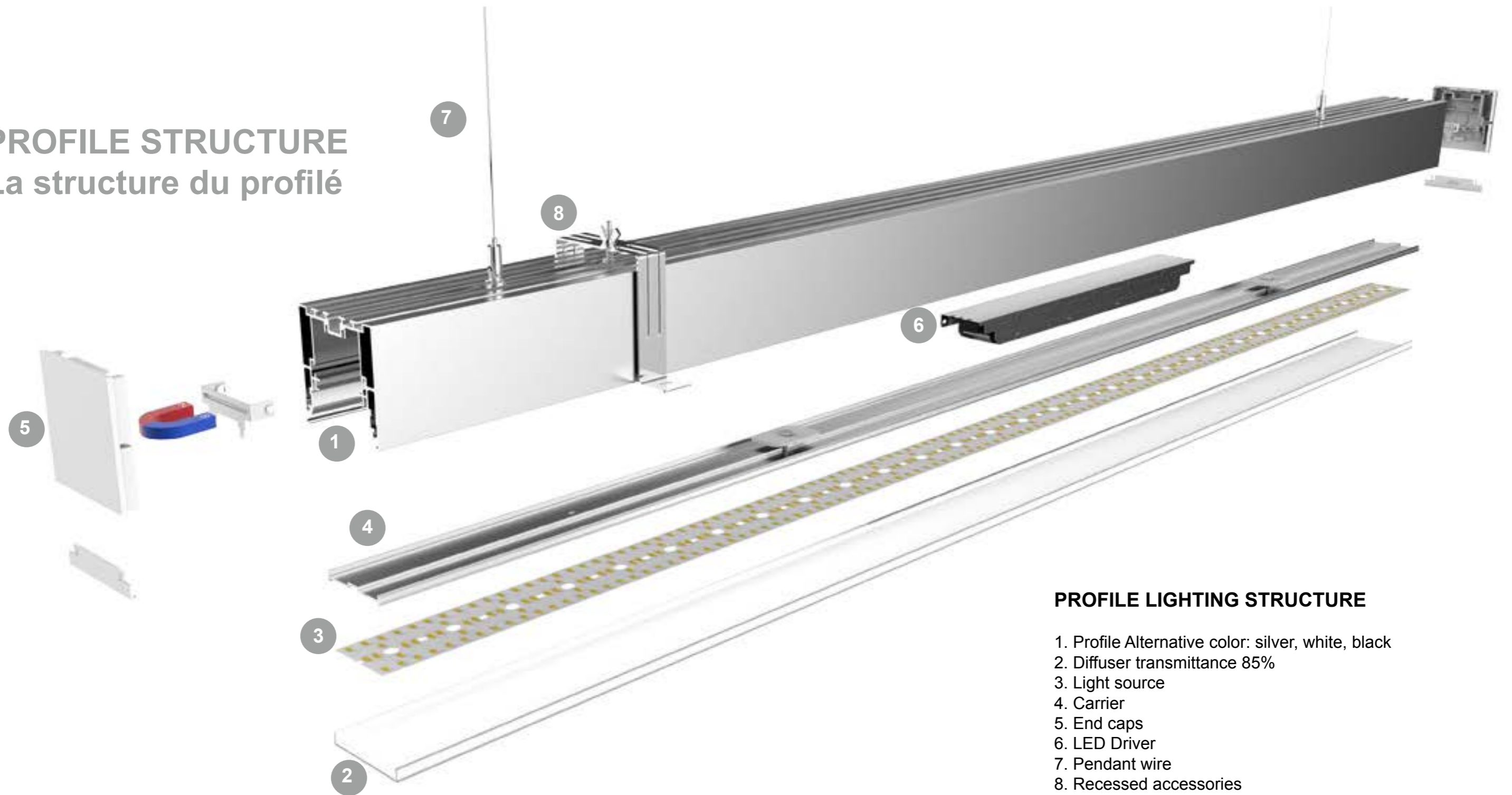
Accessoires standard





2.0 LED Linear Lights

PROFILE STRUCTURE La structure du profilé



PROFILE LIGHTING STRUCTURE

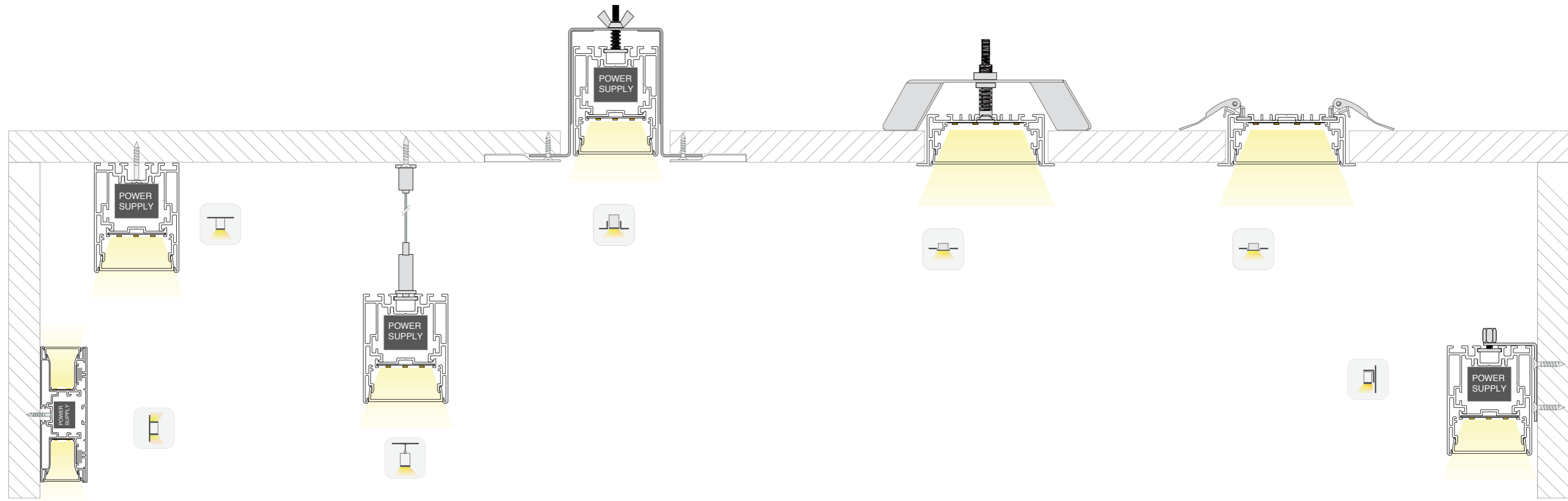
1. Profile Alternative color: silver, white, black
2. Diffuser transmittance 85%
3. Light source
4. Carrier
5. End caps
6. LED Driver
7. Pendant wire
8. Recessed accessories

Structure de profilé de la lumière DEL

1. Couleur de profilé alternatif: argent, blanc, noir
2. Transmission du diffuseur 85%
3. Source lumineuse
4. Transporteur
5. Couverture de fin
6. Pilote de LED
7. Fil de suspension
8. Accessoires encastrés

PROFILE INSTALLATION

L'installation du profilé

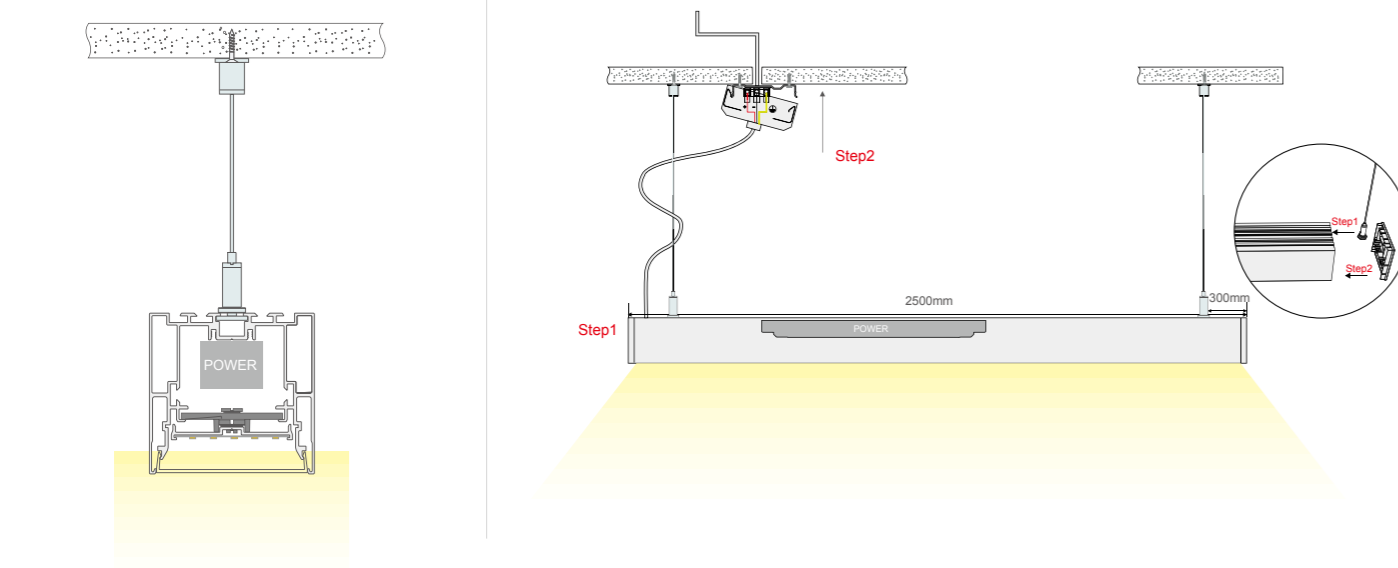


INSTALLATION STEPS

ÉTAPES D'INSTALLATION

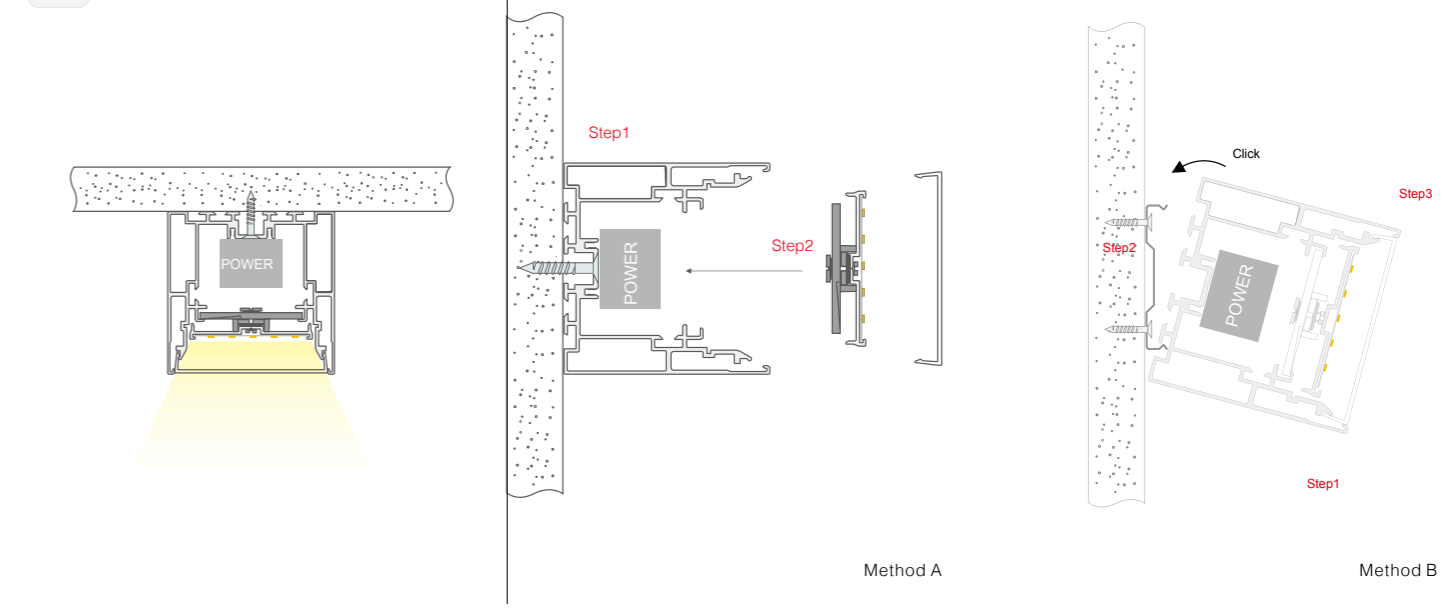
Pendant

- Step1** : Main body installation: profile + power + source + cover + end cap
- Step2** : Installation of Canopy

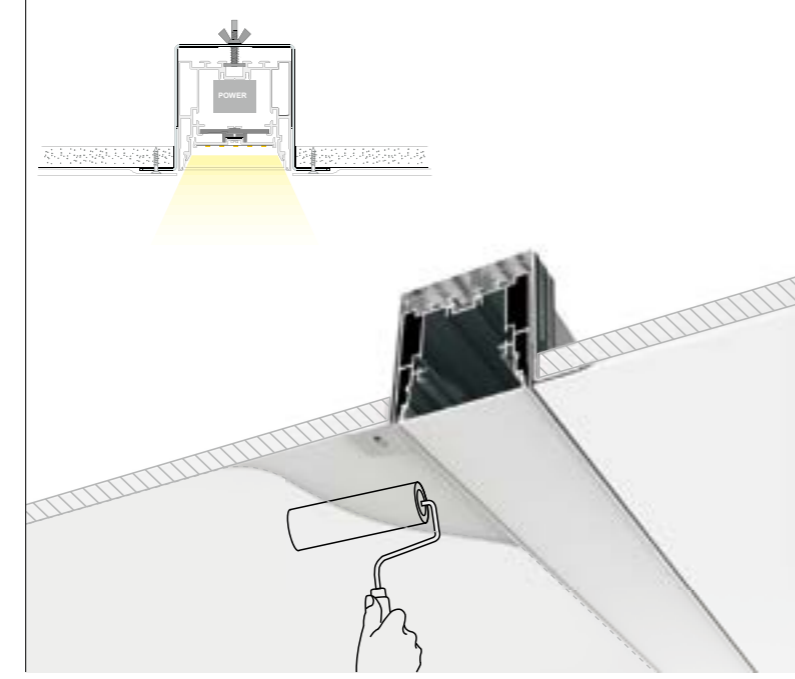
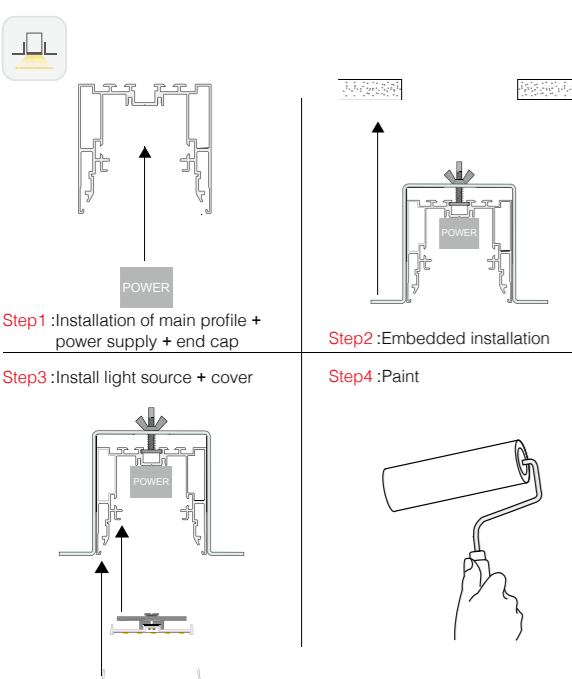


Surface mounted/Wall mounted

- Step1** : Profile fixed: profile + power+end cap
- Step2** : Install light source + cover

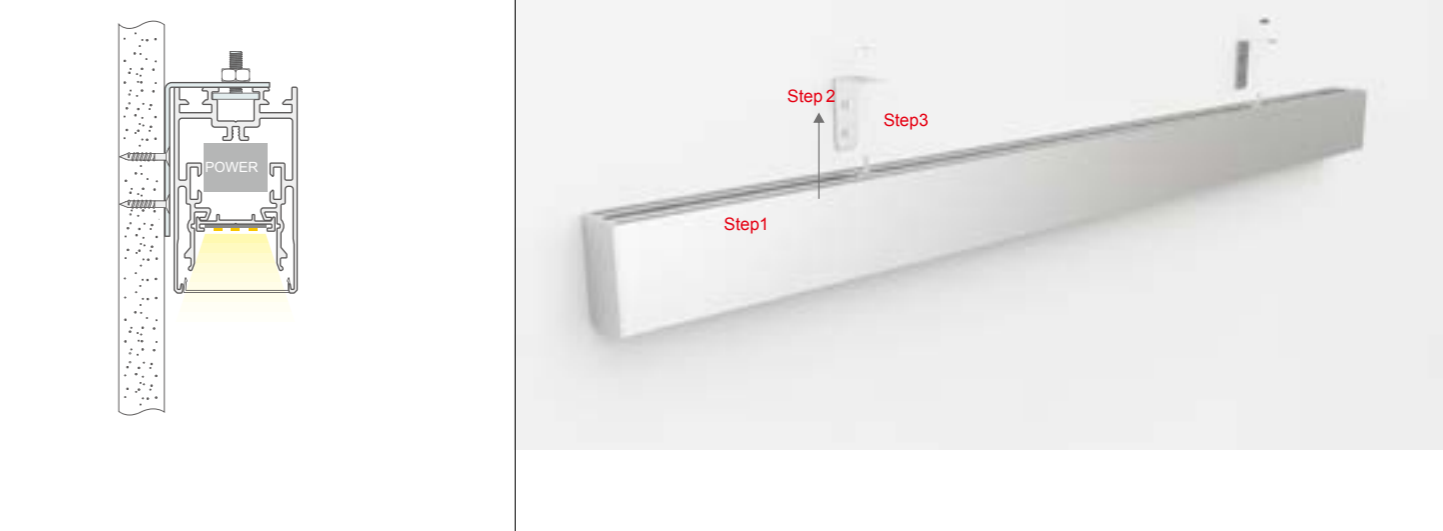


Recessed



Wall mounted diagram

- Step1** :Body installation:Profile+ driver+source+end cap+ cover
- Step2** :Fixed roof/wall hanging clamp
- Step3** :Install profile body



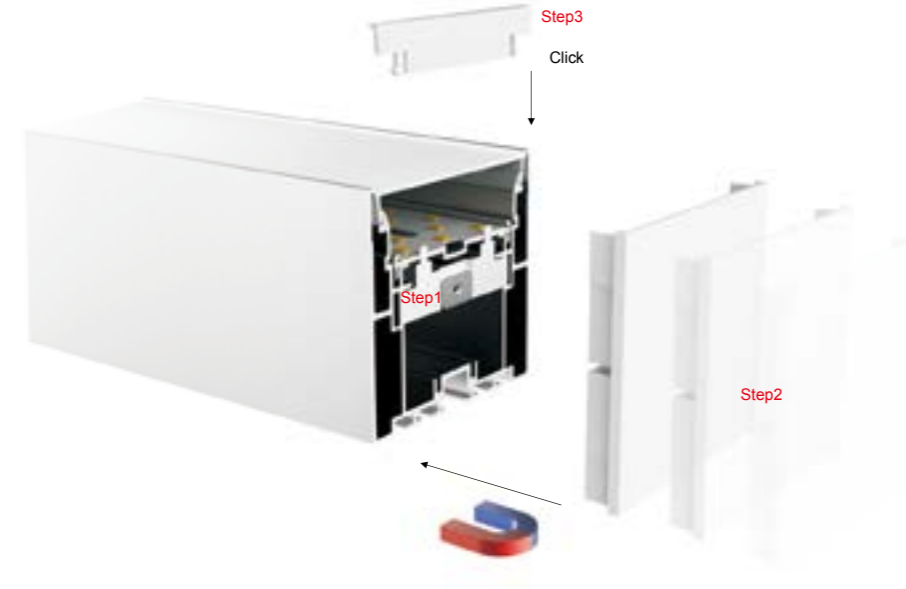
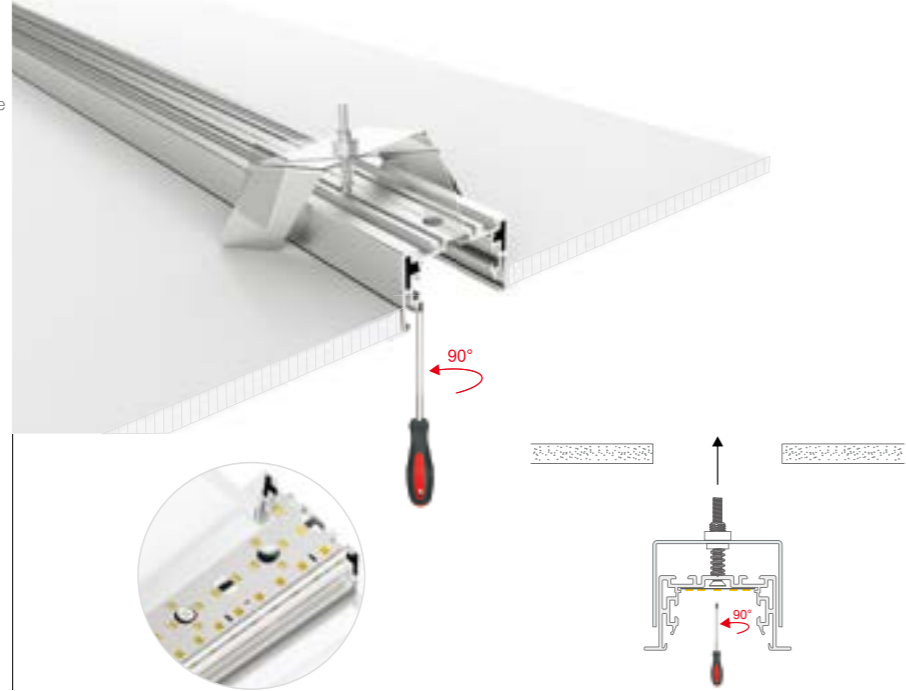
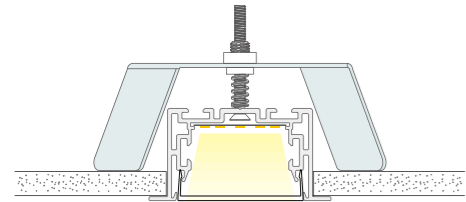
INSTALLATION STEPS ÉTAPES D'INSTALLATION

Recessed



Recessed Schematic diagram

- Step1** : "N" type Clip set to profile body
- Step2** : 90° rotation pressing button on profile



End cap component installation diagram

- Step1** : Install the end cap
- Step2** : Install the cover
- Step3** : Plug a small sub-mounting

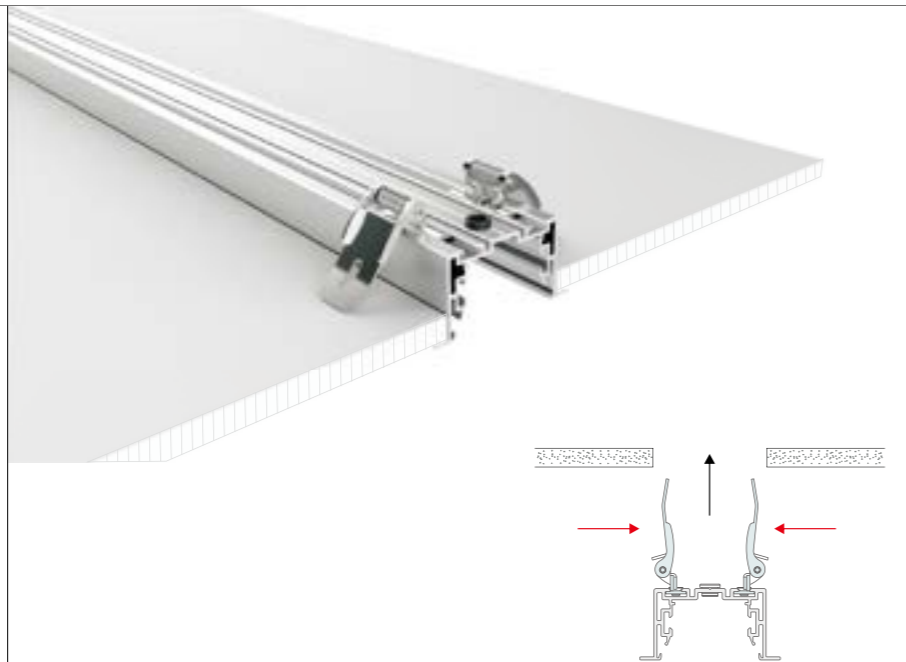
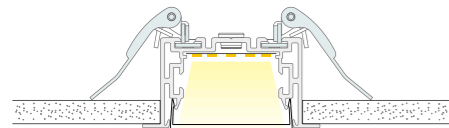


Recessed



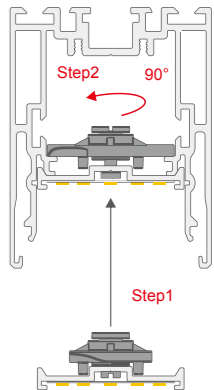
Recessed butterfly diagram

- Step1** : "Butterfly" type Clip set to profile body
- Step2** : Push the body up, stuck with the wall



Buckle diagram

- Step1** : Stick the strip on the carrier
- Step2** : Rotate 90° clamping



CONNECTION TYPE

Type de connexion

180 degrees connector



L90 connector



L90W connector



L90N connector



T90 connector

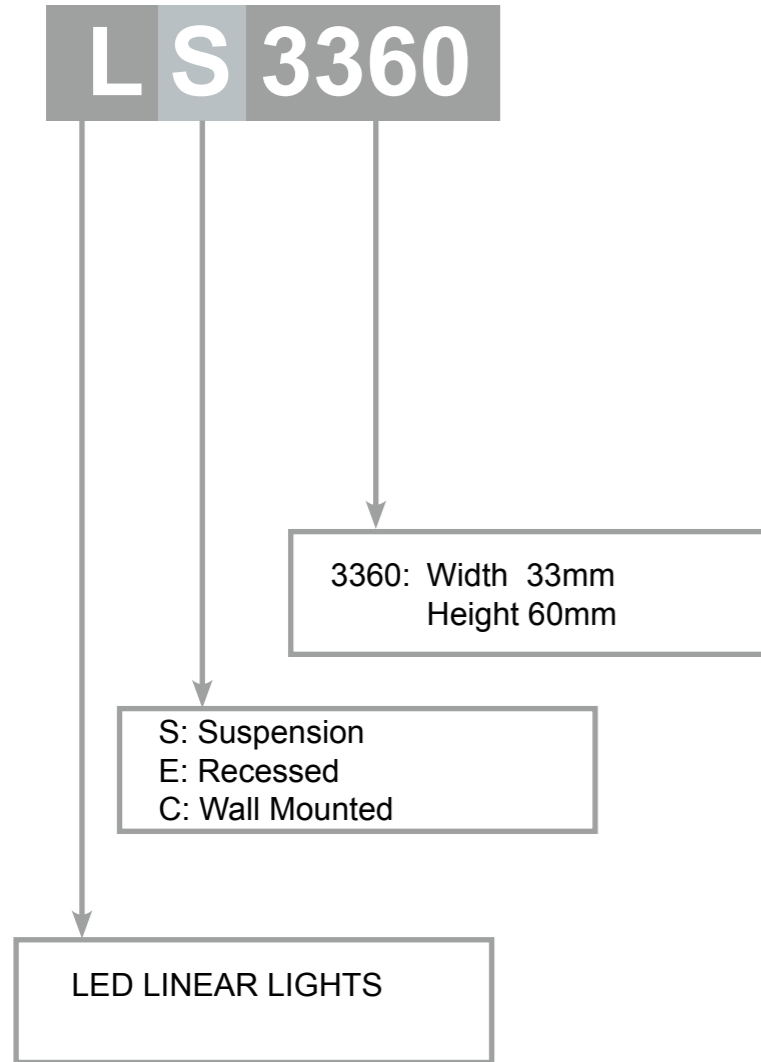


X90 connector



PRODUCT CODE

Code produit



PRODUCT MODEL

Modèle du produit

LS3360



LS7977



LS6935

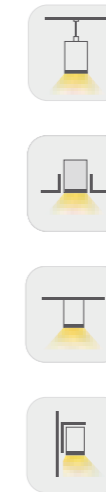
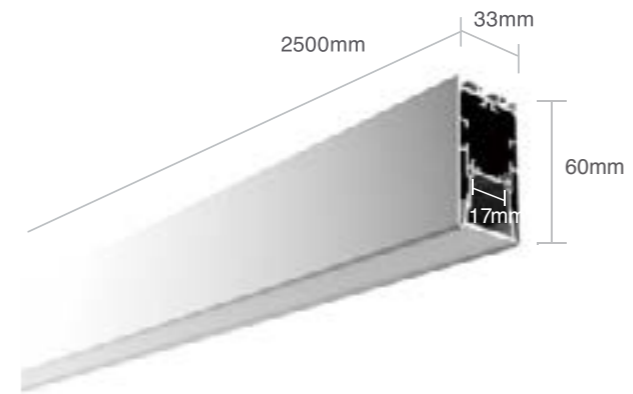


LC12843





LS3360



STANDARD LED STRIP

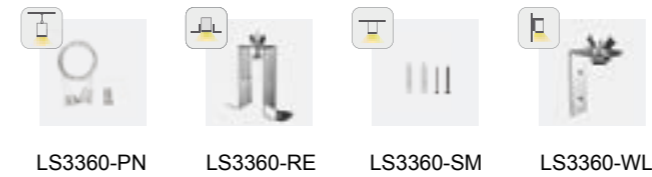
Bande de LED standard



Code	Power	Voltage	Lumen (4000K)	Min Cut
D8280-15	20 W/m 6 W/ft	24 V	2700 LM/m 823 LM/ft	50 mm (14 LEDs) 2 inches

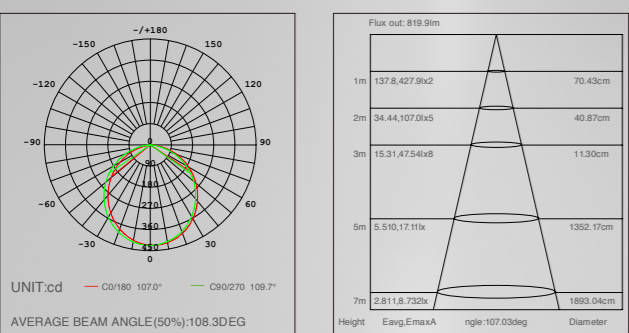
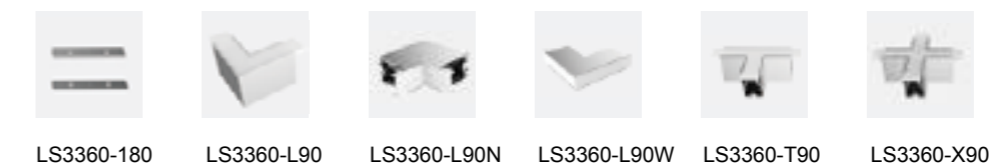
INSTALLATION ACCESSORIES

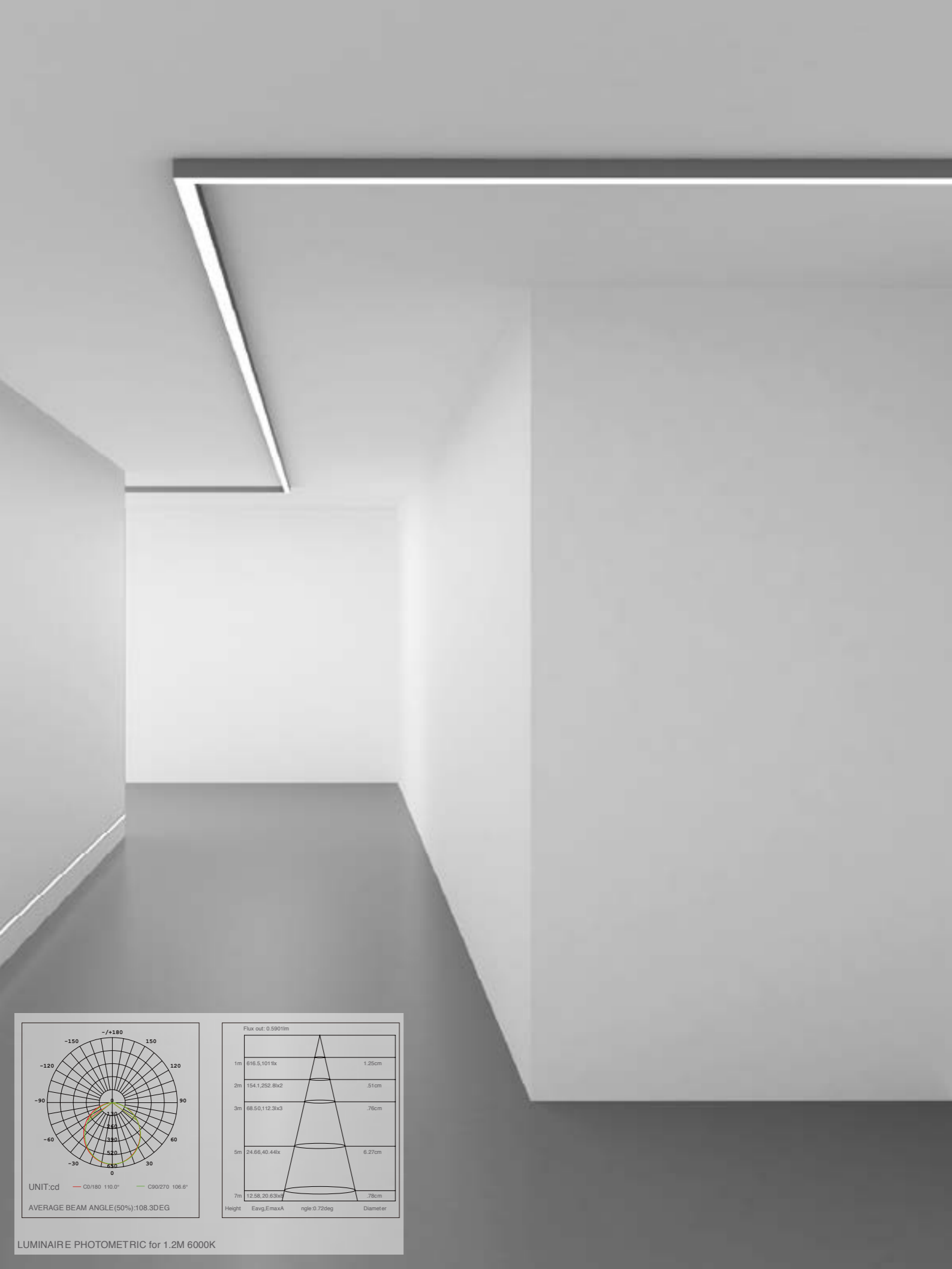
Accessoires d'installation



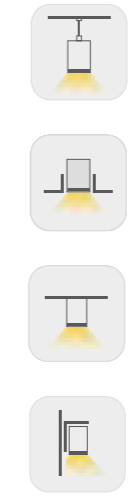
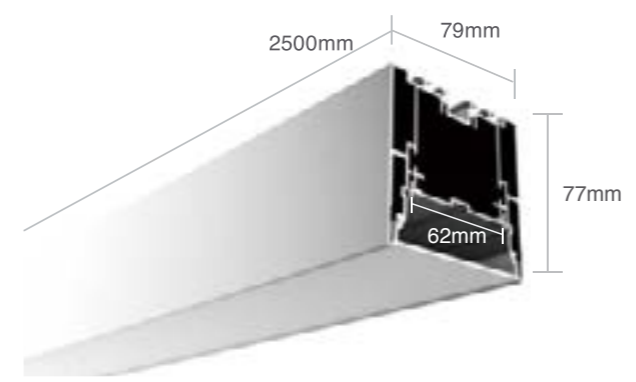
CONNECTION ACCESSORIES

Accessoires de raccordement





LS7977



STANDARD LED STRIP

Bande de LED standard



Code	Power	Voltage	Lumen (4000K)	Min Cut
D8420-59	30 W/m 9 W/ft	24 V	3900 LM/m 1190 LM/ft	50 mm (21 LEDs) 2 inches

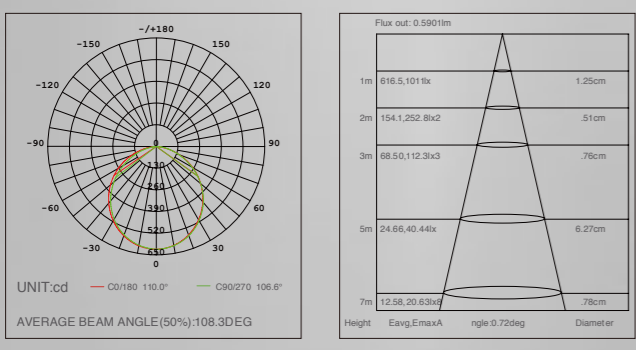
INSTALLATION ACCESSORIES

Accessoires d'installation



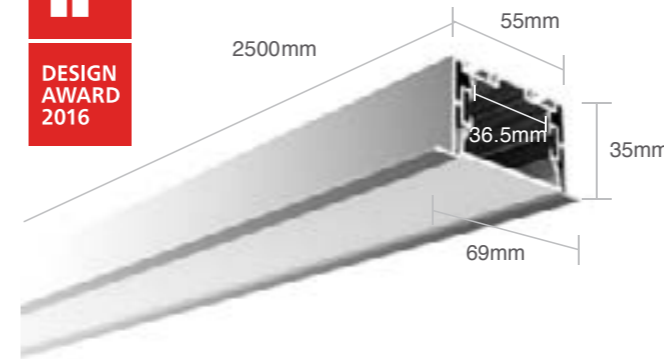
CONNECTION ACCESSORIES

Accessoires de raccordement





LE6935



STANDARD LED STRIP

Bande de LED standard



Code	Power	Voltage	Lumen (4000K)	Min Cut
D8280-34	25 W/m 7.6 W/ft	24 V	3250 LM/m 990 LM/ft	50 mm (14 LEDs) 2 inches

INSTALLATION ACCESSORIES

Accessoires d'installation



LE6935-RN



LE6935-RB

CONNECTION ACCESSORIES

Accessoires de raccordement



LE6935-180



LE6935-L90



LE6935-L90N



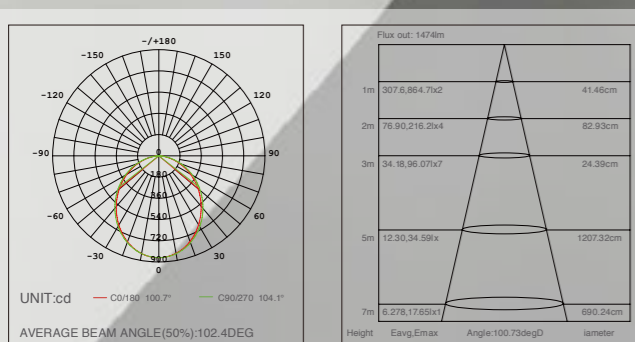
LE6935-L90W



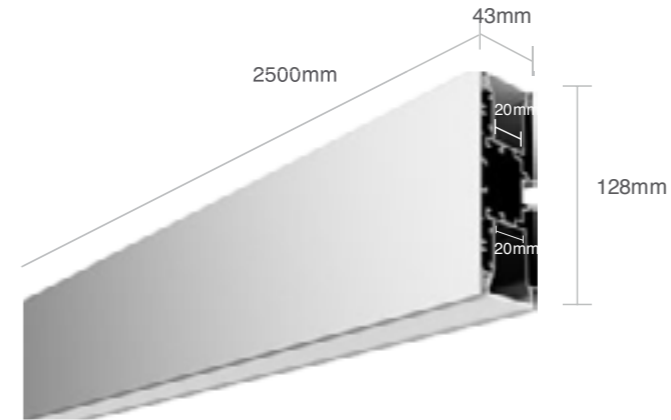
LE6935-T90



LE6935-X90



LUMINAIRE PHOTOMETRIC for 1.2M 6000K



LC12843

STANDARD LED STRIP

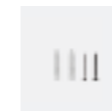
Bande de LED standard



Code	Power	Voltage	Lumen (4000K)	Min Cut
D8280-20	20 W/m 6 W/ft	24 V	UP: 2700 LM/m 823 LM/ft DOWN: 2700 LM/m 823 LM/ft	50 mm (14 LEDs) 2 inches

INSTALLATION ACCESSORIES

Accessoires d'installation



LC12843-SM

CONNECTION ACCESSORIES

Accessoires de raccordement



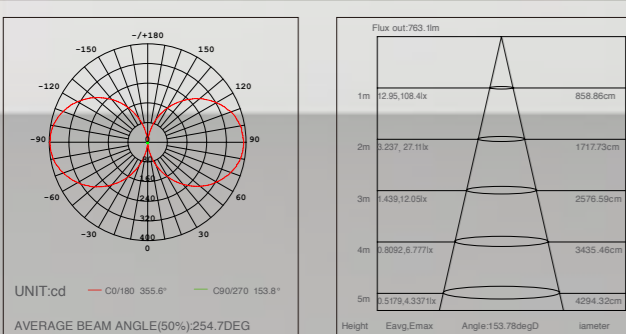
LC12843-180

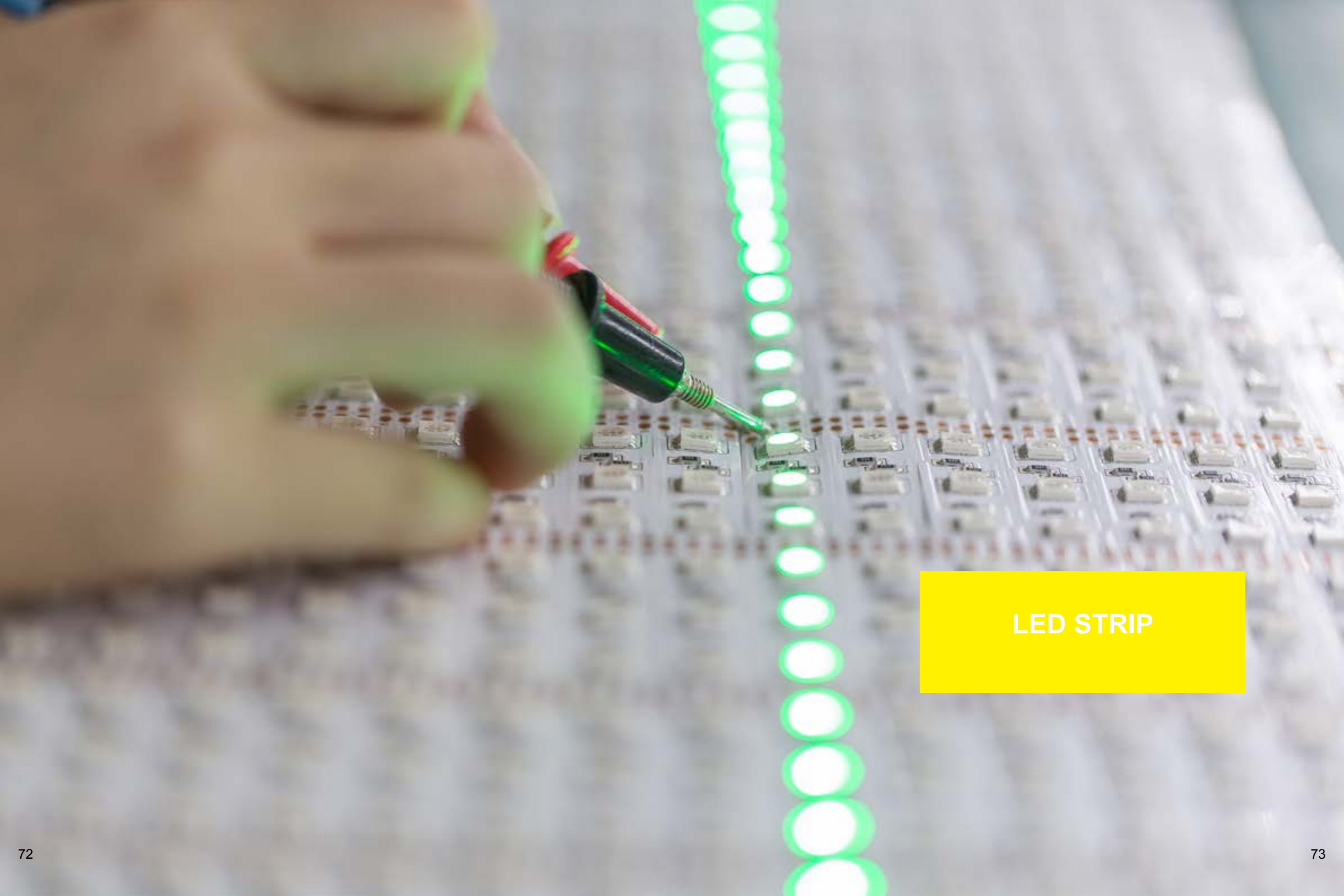


LC12843-L90



LC12843-L90N





LED STRIP

ICON DESCRIPTION Description des symboles



CCT



Color



Lumen/m



Voltage



Power



IP Grade



LED QTY/M



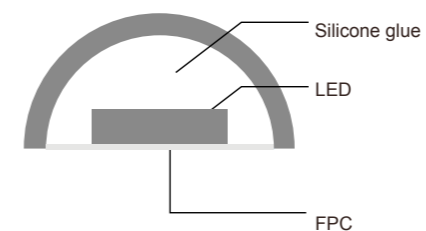
Minimal cut



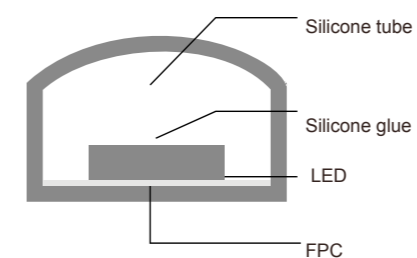
Dimensions

WATERPROOF GRADE Qualité d'anti-l'eau

Glue coating
Revêtement de colle **IP55**



Glue filling
Remplissage de colle **IP67**



ANTI-UV 3 YEARS
LOW TEMPERATURE -30°

Correlated COLOR TEMPERATURE(CCT)

Température de couleur corrélée

The higher CCT is close to blue tone, and lower CCT is close to the yellow tone.
JOYOLIGHT offers 4 CCT options for different lighting effects.

6000k gives you the feeling of natural and bright, suits for office lighting.

4000k gives you the feeling of comfort and mildness, suits for residential lighting.

3000k gives you the feeling of warm and safety, suits for personal space lighting.

2700k provides you the golden visual effects, suits for the special occasions.

Le plus le CCT élevé est proche du ton bleu, plus le CCT est proche du ton jaune.

JOYOLIGHT offre 4 options CCT pour différents effets d'éclairage.

6000k vous donne le sentiment de naturel et lumineux, costumes pour l'éclairage de bureau.

4000k vous donne le sentiment de confort et de douceur, costumes pour l'éclairage résidentiel.

3000k vous donne la sensation de chaud et de sécurité, costumes pour l'éclairage d'espace personnel.

2700k vous offre les effets visuels d'or, convient pour les éclairages spéciaux.



Color Rendering Index(CRI)

Indice de Rendu des Couleurs

The CRI is higher, and the color is more natural.

Full range of JOYOLIGHT LED are with CRI > 80, presenting the ture color for you.

Le CRI est plus CRI est élevé, plus la couleur est paraît naturelle.

Une gamme complète de JOYOLIGHT DEL est avec CRI > 80, représentée la vraie couleur pour vous.



PRODUCT CODE

Code produit

D 3 60 XX IPXX

IP: waterproof grade
 IP33: Non-waterproof
 IP55: Silicone Coating
 IP67: Silicone Glue Filling

XX: Color / CCT
 27: 2700K RGB 30: 3000K RGBW: RGB+3000K
 40: 4000K 60: 6000K RGBWS:RGB+6000K

60: LED QTY/M
 30: 30 LEDS/M 60: 60 LEDS/M

3: LED type
 2: SMD 335 3: SMD3528
 5: SMD5050 8: SMD2835

D: Products Abbreviation
 D: Constant voltage LED strip

PRODUCT MODEL

Modèle du produit

D3 SERIES

81



D360



D3120

D5 SERIES

83



D560RGB



D560RGBW

D2 SERIES

85



D260



D2120

D8 SERIES

87



D898



D8196



D8252



D8280



D8350



3528 series is cost effective, suitable for supplementary and background lighting.

3528 série est rentable , adapté à l'éclairage de fond et supplémentaire

D3 Series



D360

2700K/3000K/4000K/6000K



360 LM/m
110 LM/ft



24V



4.8 W/m
1.5 W/ft



IP33 / IP55 / IP67



60LED/m



100mm(6LED)



5000*8*2mm

D3120

2700K/3000K/4000K/6000K



655 LM/m
200 LM/ft

12V
24V

9.6 W/m
3.0 W/ft

IP33 (12V, WIDTH:5mm)
IP33 / IP55 / IP67

120LED/m

25mm(3LED)
50mm(6LED)

5000*5*2mm (12V)
5000*8*2mm (24V)

* Not in stock, special order only.



RGB LEDs work with controller to create different color effects.

RGBWS strip could provide high quality white and RGB lighting, free to change the space atmosphere.

DEL RGB varie ses différents effets de couleur avec un contrôleur infra-rouge.

RGBWS rubans blanche pourrait donner une éclairage RVB de qualité superbe. Une grande liberté pour le changement d'atmosphère pour l'espace.

D5 Series



D560RGB



/



24V



14.4 W/m
4.4 W/ft



IP33 /IP55 / IP67



60LED/m



100mm(6LED)



5000*10*2mm

RGBW / RGBWS

RGB+3000K / RGB+6000K



24V

19.2 W/m
5.9 W/ft

IP33 /IP55 / IP67

60LED/m

100mm(6 LED)

5000*10*2mm










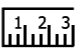
335 series gives side glowing lighting suitable for background lighting.

335 séries donnent un éclairage latérale pour s'adapter à l'éclairage de fond.

D2 Series*

* Not in stock, special order only.



	D260	D2120
	3000K/4000K/6000K	3000K/4000K/6000K
	320 LM/m 98 LM/ft	620 LM/m 189 LM/ft
	12V	24V
	4.8 W/m	9.6 W/m
	IP33 / IP55 / IP67	IP33 / IP55 / IP67
	60LED/m	120LED/m
	50mm(3LED)	50mm(6LED)
	5000*8*2 mm	5000*8*2 mm

D8 Series

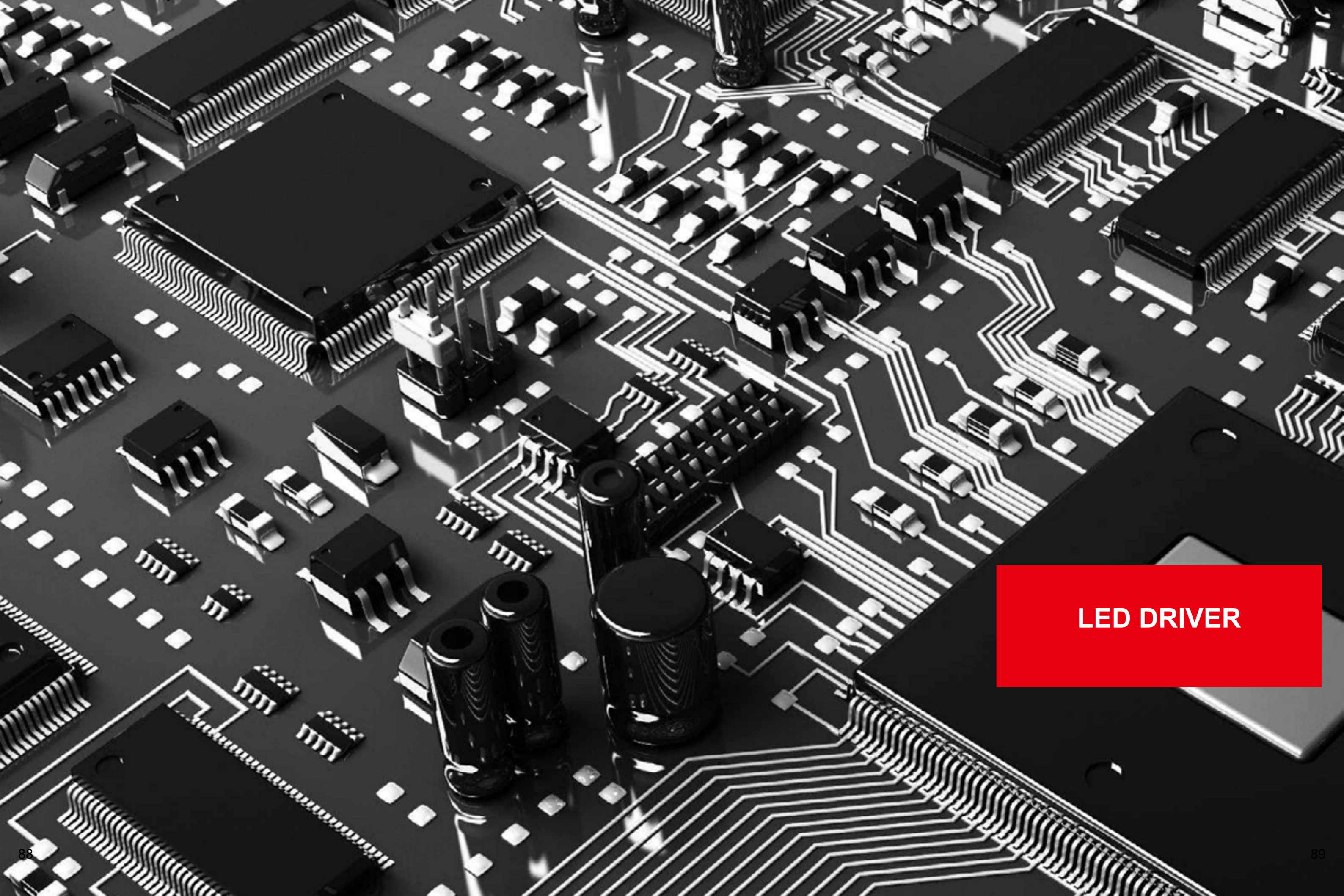


2835 series, brightness of single LED is higher than 10 LM, luminous efficacy is about 100 LM/w, those items are widely used for main lighting and auxiliary lighting of indoor.

2835 série, luminosité de LED unique est supérieure à 10 LM, efficacité lumineuse est d'environ 100 lm / W, ces éléments sont largement utilisés pour l'éclairage principal et un éclairage auxiliaire de l'intérieur



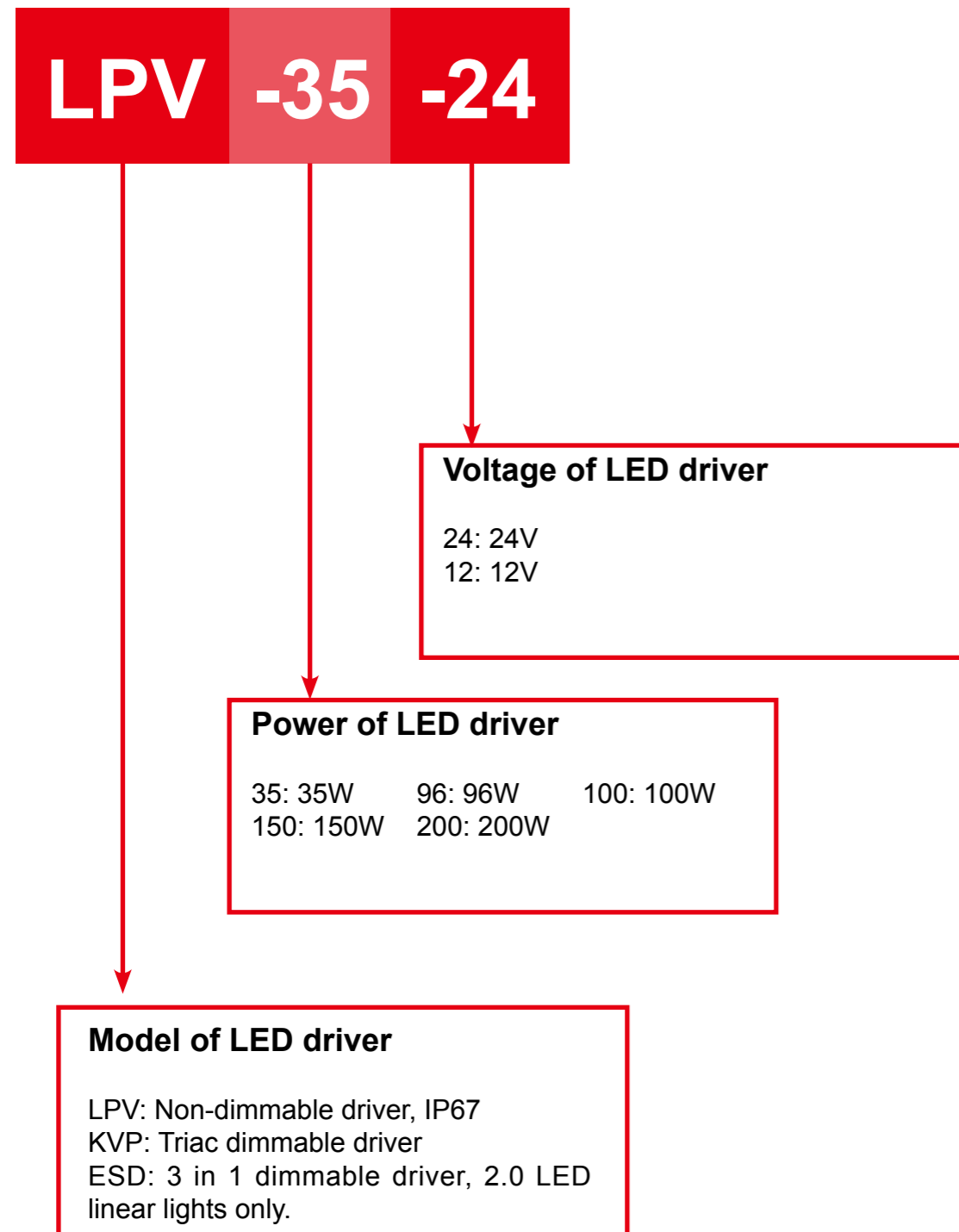
	D898	D8196	D8252	D8280	D8350
	2700K/3000K/4000K 6000K	2700K/3000K/4000K 6000K	2700K/3000K/4000K 6000K	2700K/3000K/4000K 6000K	2700K/3000K/4000K 6000K
	1060 LM/m 323 LM/ft	2100 LM/m 640 LM/ft	2750 LM/m 838 LM/ft	3000 LM/m 915 LM/ft	3800 LM/m 1158 LM/ft
	24V	24V	24V	24V	24V
	10 W/M 3 W/ft	20 W/M 6 W/ft	26 W/M 8 W/ft	29 W/M 8.8 W/ft	36 W/M 11 W/ft
	IP33	IP33	IP33	IP33	IP33
	98LED/M	196LED/M	252LED/M	280LED/M	350LED/M
	71MM(7LED)	71MM(14LED)	83MM(21LED)	100MM(28LED)	100MM(35LED)
	5000×8×2MM	5000×15×2MM	5000×19×2MM	2500×36×2MM	2500×58×2MM



LED DRIVER

PRODUCT CODE

Code produit



PRODUCT MODEL

Modèle du produit

Non-dimmable Driver

93



Triac Dimmable Driver

95



3 in 1 Dimmable Driver

97





Non-Dimmable driver



LPV-35-24

Input voltage: 90~264 VAC
 Output voltage: 24V
 Power: 35 W
 Size: 148x40x30 MM
 Waterproof: IP67
 Efficiency: 85%

Tension d'entrée: 90~264 VAC
 Tension de sortie: 24V
 Puissance: 35 W
 Taille: 148x40x30 MM
 Étanche: IP67
 Efficacité: 85%



LPV-60-24

Input voltage: 90~264 VAC
 Output voltage: 24V
 Power: 60 W
 Size: 162.5x42.5x32 MM
 Waterproof: IP67
 Efficiency: 86%

Tension d'entrée: 90~264 VAC
 Tension de sortie: 24V
 Puissance: 60 W
 Taille: 162.5x42.5x32 MM
 Étanche: IP67
 Efficacité: 86%



LPV-100-24

Input voltage: 90~264 VAC
 Output voltage: 24V
 Power: 100 W
 Size: 190x52x37 MM
 Waterproof: IP67
 Efficiency: 88%

Tension d'entrée: 90~264 VAC
 Tension de sortie: 24V
 Puissance: 100 W
 Taille: 190x52x37 MM
 Étanche: IP67
 Efficacité: 88%



LPVL-150-24

Input voltage: 90~132 VAC
 Output voltage: 24V
 Power: 150 W
 Size: 190x63x37.5 MM
 Waterproof: IP67
 Efficiency: 89%

Tension d'entrée: 90~264 VAC
 Tension de sortie: 24V
 Puissance: 150 W
 Taille: 190x63x37.5 MM
 Étanche: IP67
 Efficacité: 89%

Dimmer List

Brand	Model Number*	Forward Phase or Reserve Phase	Dimming Range	Input Voltage Range
LUTRON	SCL-153PR-WH	Forward Phase	0 - 100%	100 - 130V
	DVCL-153PR-WH	Forward Phase	0 - 100%	100 - 130V
	DVWCL-153PH-LA	Forward Phase	0 - 100%	100 - 130V
LEVITON	TTI06-1LZ	Forward Phase	1 - 100%	100 - 130V
	6602	Forward Phase	10 - 100%	100 - 130V
	6683	Forward Phase	12 - 100%	100 - 130V

*Contact us for more info

Triac Dimmable driver



KVP-50-24-J1

Input voltage: 100~130 VAC
Output voltage: 24V
Power: 50 W
Driver size: 178x61x24 MM
With J1 Size: 350x77x37 MM
Waterproof: IP20
Efficiency: 84%

Tension d'entrée: 100~130 VAC
Tension de sortie: 24V
Puissance: 50 W
Taille: 178x61x24 MM
Avec J1 Taille: 350x77x37 MM
Étanche: IP20
Efficacité: 84%



KVP-96-24-J2

Input voltage: 100~130 VAC
Output voltage: 24V
Power: 96 W
Driver size: 230x70x46 MM
With J2 Size: 380x77x57 MM
Waterproof: IP66
Efficiency: 83%

Tension d'entrée: 100~130 VAC
Tension de sortie: 24V
Puissance: 96 W
Taille: 230x70x46 MM
Avec J2 Taille: 380x77x57 MM
Étanche: IP66
Efficacité: 83%



KVP-150-24-J3

Input voltage: 100~130 VAC
Output voltage: 24V
Power: 150 W
Driver size: 256x78x47 MM
With J3 Size: 406x87x60 MM
Waterproof: IP66
Efficiency: 86%

Tension d'entrée: 100~130 VAC
Tension de sortie: 24V
Puissance: 150 W
Taille: 256x78x47 MM
Avec J3 Taille: 406x87x60 MM
Étanche: IP66
Efficacité: 86%



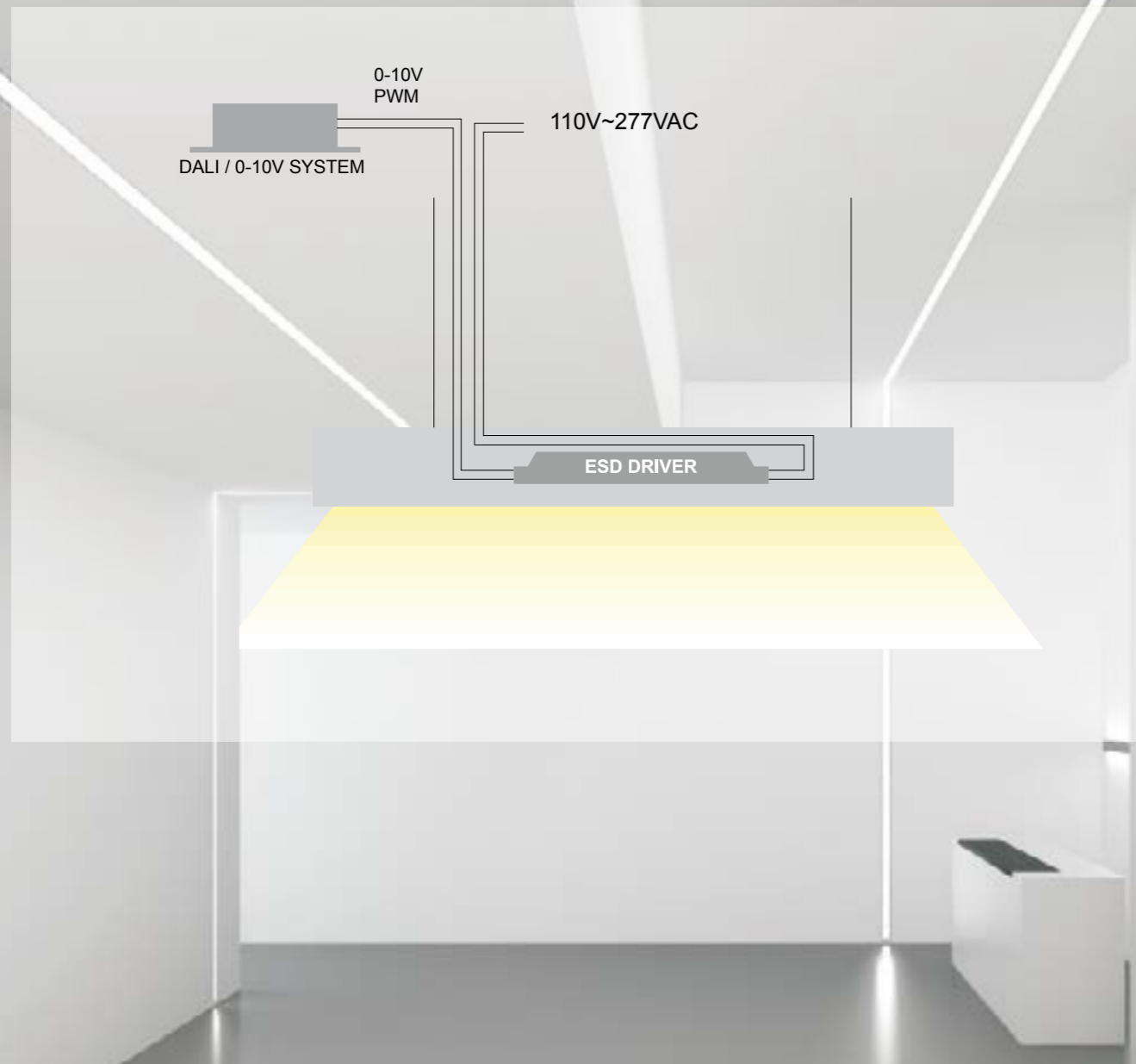
KVP-200-24-J3

Input voltage: 100~130 VAC
Output voltage: 24V
Power: 200 W
Driver size: 256x78x47 MM
With J3 Size: 406x87x60 MM
Waterproof: IP66
Efficiency: 85%

Tension d'entrée: 100~130 VAC
Tension de sortie: 24V
Puissance: 200 W
Taille: 256x78x47 MM
Avec J1 Taille: 406x87x60 MM
Étanche: IP66
Efficacité: 85%

3 in 1 Dimmable driver*

*Work with 2.0 Linear Lights Only



ESD-65-24



Input voltage: 100~277 VAC
Output voltage: 24V
Power: 65 W
Size: 363x34.5x22.5 MM
Efficiency: 90%

Tension d'entrée: 100~277 VAC
Tension de sortie: 24V
Puissance: 65 W
Taille: 363x34.5x22.5 MM
Efficiency: 90%

ESD-100-24



Input voltage: 100~277 VAC
Output voltage: 24V
Power: 100 W
Size: 390x38x28.5 MM
Efficiency: 92%

Tension d'entrée: 100~277 VAC
Tension de sortie: 24V
Puissance: 100 W
Taille: 390x38x28.5 MM
Efficiency: 90%



JOYOLIGHT GROUP INC.

Suite 401, 350 Rue Louvain Ouest,
Montreal, QC, Canada
H2N 2E8

www.joyolight.ca