

# JOYOLIGHT

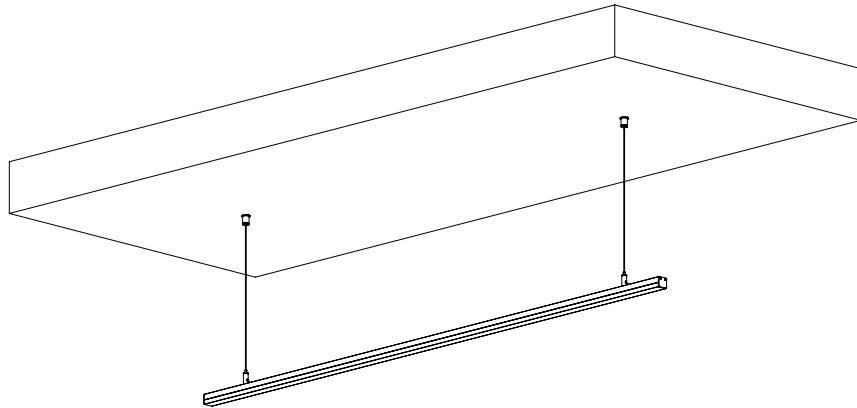


# LS1911C/K



## SUSPENSION SYSTEM

**READ CAREFULLY  
BEFORE INSTALLATION**



#12, 5200 Dixie Rd,  
Mississauga, ON  
Canada L4W 1E4  
[www.joyolight.ca](http://www.joyolight.ca)  
[sales@joyolight.com](mailto:sales@joyolight.com)

**⚠ WARNING**

Failure to comply with the following installation instructions may result in death or serious injury.

- This product must be installed and serviced by a qualified electrician.
- Separate the power supply wiring (110V) and dimming/control wiring
- Disconnect power before installing to avoid electrical shock
- Do not exceed fixture specified voltage
- Do not expose IP33-rated lighting fixtures or LED strip to moisture generated from steam, water drips, as well as condensation residues, as it will cause damage to the light components causing a possible short circuit.
- Power cable should not support the weight of the fixture and stay loose
- Do not use fixture, parts or connectors which are damaged

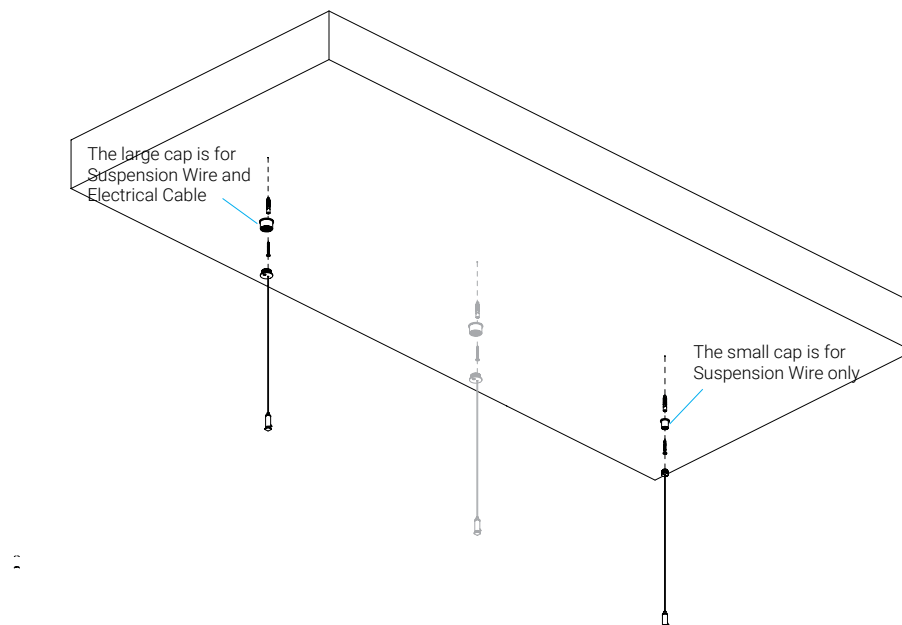
**⚠ CAUTION**

- Should a production received with missing or damaged parts, please contact Joyolight at 1-877-849-1942.
- Should a fixture not work properly, please turn fixture off and contact Joyolight technical support for immediate assistance.
- Handle the fixture with care throughout the installation in case of damaging the fixture.
- Always wear clean latex or cotton gloves to avoid spots or fingerprint marks on the fixture.
- Unauthorized field repairs will void warranty

## Step 1:

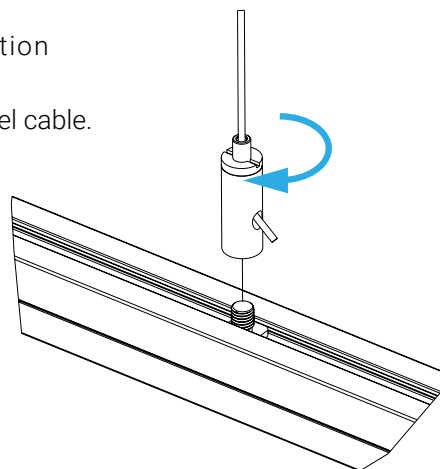
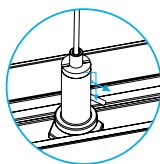
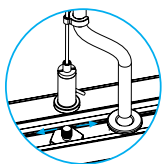
1. Mark the drilling position on the ceiling.
2. Drill holes for wires and cables to go through.
3. Fix wires onto the ceiling. Make sure they are evenly distributed.
4. If you are using all small caps, ignore the notes on the left.

- Use 2 suspension cables if fixture length is less than 4 ft
- Use 3 suspension cables if fixture length is greater than 4 ft and less than 8ft.



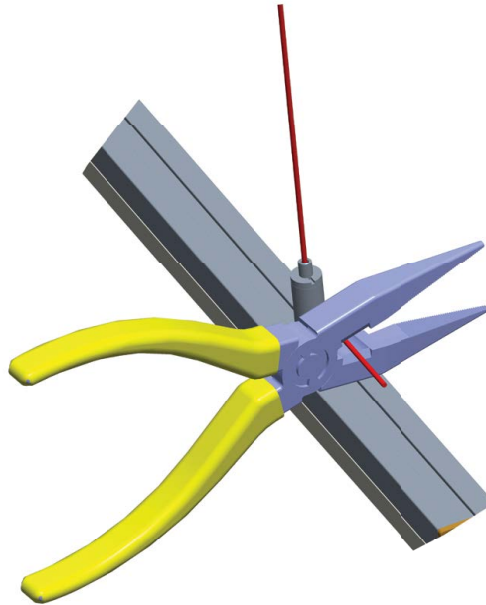
## Step 2:

1. Adjust the screw horizontally to the right position
2. Tighten the screw and fix the position of the screw.
3. Hold down the upper little cylinder and adjust the steel cable.



## Step 3:

Cut off extra wire.



## Step 4:

Fix the suspension wire.

If you are using small cap, ignore the notes on the left.

