

INSTALLATION GUIDE for LE4932, LE6332, LE8832 (Recessed)

⚠ WARNING Failure to comply with the following installation instructions may result in death or serious injury.

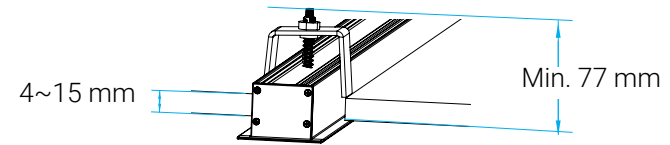
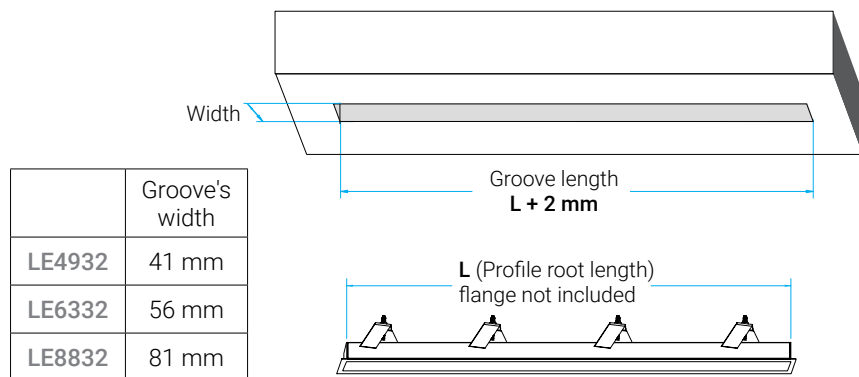
- This product must be installed and serviced by a qualified electrician.
- Separate the power supply wiring (110V) and dimming/control wiring
- Disconnect power before installing to avoid electrical shock
- Do not exceed fixture specified voltage
- Do not expose IP33-rated lighting fixtures or LED strip to moisture generated from steam, water drips, as well as condensation residues, as it will cause damage to the light components causing a possible short circuit.
- Power cable should not support the weight of the fixture and stay loose
- Do not use fixture, parts or connectors which are damaged

⚠ CAUTION

- Should a production received with missing or damaged parts, please contact Joyolight at 1-877-849-1942.
- Should a fixture not work properly, please turn fixture off and contact Joyolight technical support for immediate assistance.
- Handle the fixture with care throughout the installation in case of damaging the fixture.
- Always wear clean latex or cotton gloves to avoid spots or fingerprint marks on the fixture.
- Unauthorized field repairs will void warranty

Note: Diagram is not drawn to scale and angles drawn are not accurate. It is drawn for instruction purpose only.

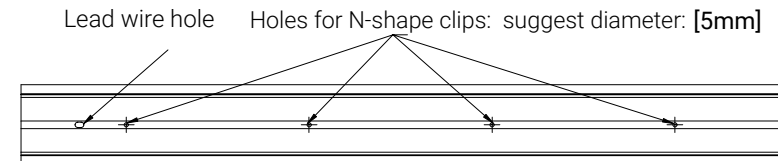
Pre-Instalation Length's definition



At N-shaped clips' positions, a minimum of 77 mm recommended to leave behind the panel (panel's thickness included)

Panel around the clip should be between 4~15mm's thick

STEP 1 Drill holes for N-shaped brackets on the back of the profile Installing N-shaped clips

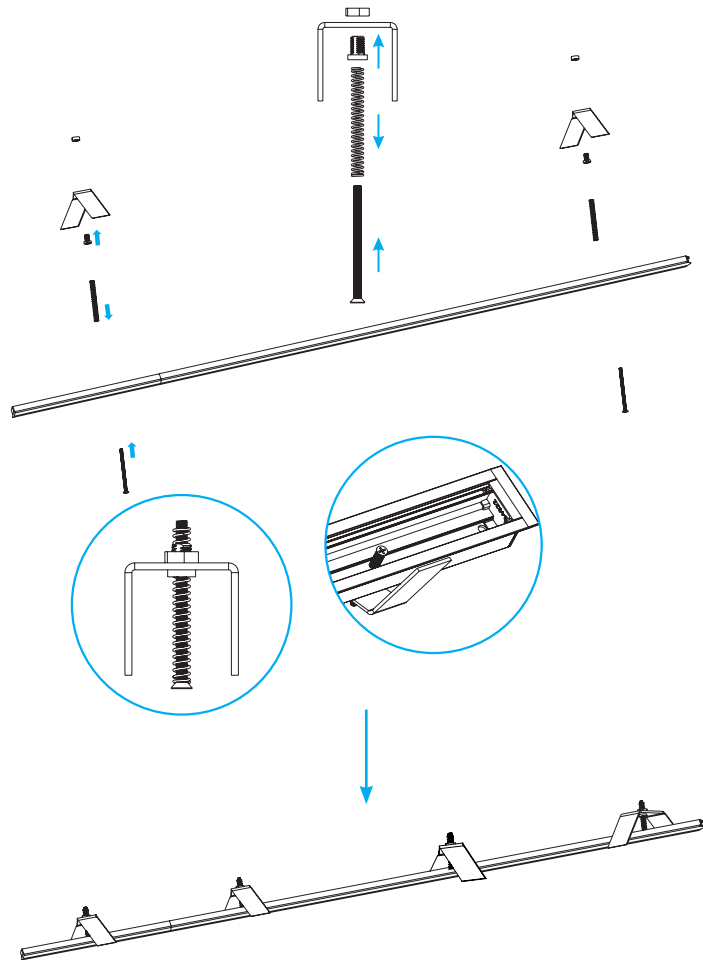


Numbers of N-shaped brackets for each unconnected profile

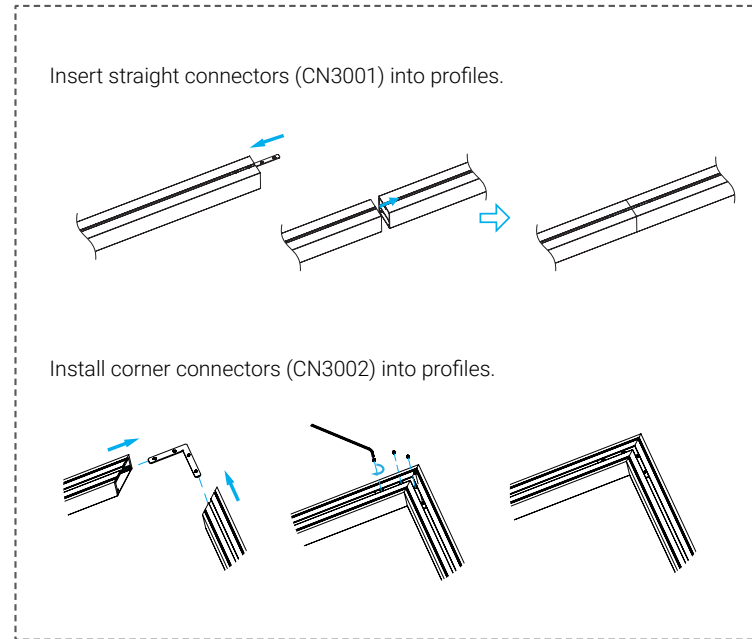
- 4' Fixture length ≤ 4 ft : 2 brackets
- 6' 4 ft < Fixture length ≤ 6 ft : 3 brackets
- 8' 6 ft < Fixture length ≤ 8 ft : 4 brackets

STEP 2 Assemble N-shape clips according to the holes drilled.

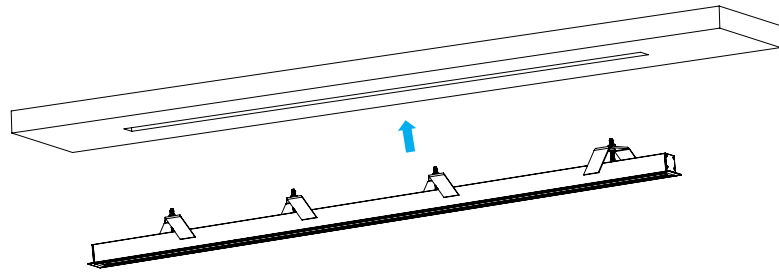
N-shape clips Installation Instructions



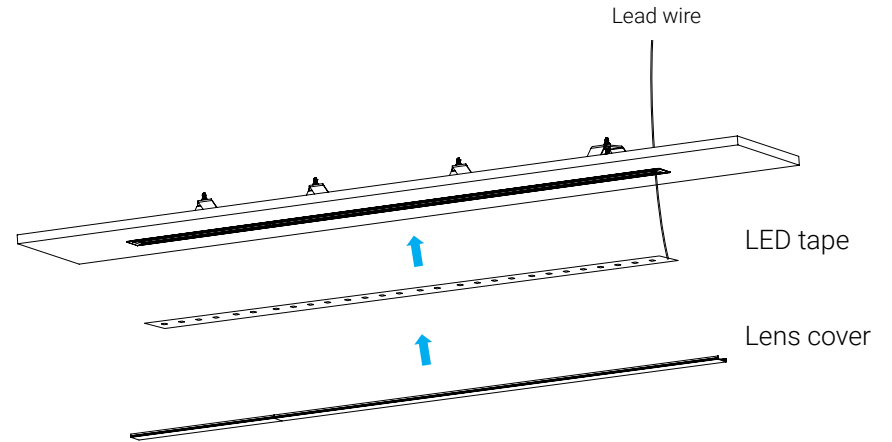
Connect profiles if applicable.



STEP 3 Installing profile



STEP 4 1. Stick the LED tape on
2. Assembling the lens cover.



3 / 3

STEP 5 Installation completed.

