

## Triac/0-10V/1-10V/Potentiometer/10V PWM 5 in 1 Dimmable led driver JLM Series JP2 30W



### ■Features

- Output constant voltage
- UL, cUL listed, Class 2 unit, Type HL rated. FCC
- Universal AC input: 100-277VAC
- Power Factor: up to 0.99
- High efficiency : up to 80%
- Load: 10-100%
- Protection:short circuit/over loading/ Over temperature
- PWM output, does not change the color index
- Full protection metal case, for dry, damp, wet location
- Flicker-free
- Dimming function:
  - Phase dimming: work with forward phase /leading edge ,MLV and Reverse phase /trailing edge ,ELV, TRIAC dimmers
  - 0-10V dimming: 0-10V/1-10V/Potentiometer/10V PWM 4 in 1
- Dimming range: 0-100%
- Suitable for LED lighting and moving sign applications



Class 2  
TYPE HL

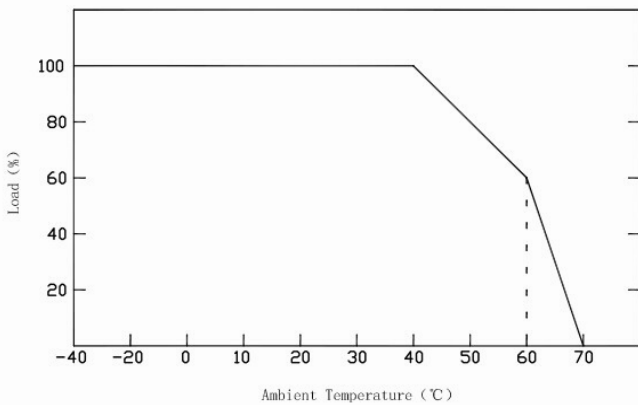


Model		JLM-30-12-JP2	JLM-30-24-JP2
<b>Certificates</b>		UL, cUL listed, Class 2 unit, Type HL rated, FCC	
<b>Output</b>	DC Voltage	12V	24V
	Rated Current	2.5A	1.25A
	Rated Power	30W	30W
	Voltage Tolerance	±0.5V	
	Voltage Regulation	±0.5%	
	Load Regulation	±1%	
<b>Input</b>	Voltage Range	100-277VAC	
	Frequency Range	47-63Hz	
	Power Factor (Typ.) @ full load	0.99@120VAC 0.98@277VAC	0.99@120VAC 0.95@277VAC
	THD (Typ.) @ full load	<20%	
	Efficiency (Typ.) @ full load	79% @120Vac 80%@277Vac	79% @120Vac 80%@277Vac
	AC Current (Max.)	0.5A@100Vac	
	Inrush Current (Typ.)	7A, 50%, 420us @120Vac	12A, 50%, 480us @277Vac
	Leakage current	<0.5mA	
<b>Protection</b>	Short Circuit	shut down o/p voltage, re-power on to recover after fault condition is removed	
	Over Loading	≤120% shut down o/p voltage, re-power on to recover after fault condition is removed	
	Over temperature	100°C±10°C shut down o/p voltage, automatically recover after cooling.	
<b>Environment</b>	Working TEMP.	-40~+60°C (see below derating curve)	
	Working Humidity	20~90%RH, non-condensing	
	Storage TEMP. Humidity	-40~+80°C, 10~95%RH	
	TEMP .coefficient	±0.03%/°C (0~50°C)	
	Vibration	10~500Hz, 5G 10min./1 cycle,period for 60min. each along X,Y,Z axes	
<b>Safety&amp; EMC</b>	Safety standards	UL8750+UL1310	
	Withstand voltage	I/P-O/P:1.88KVAC	
	Isolation resistance	I/P-O/P:100MΩ/500VDC/25°C/70%RH	

Triac/0-10V/1-10V/Potentiometer/10V PWM 5 in 1 Dimmable led driver JLM Series JP2 30W

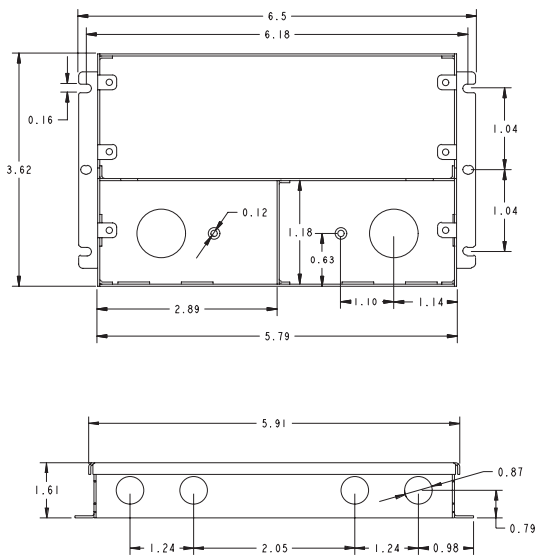
	EMC EMISSION	FCC Part 15 B
<b>others</b>	Net. Weight	0.95Kg
	Size	165*92*41mm (L*W*H)
	packing	10PCS/CTN
<b>Notes</b>	1. All parameters if NOT specially mentioned are measured at 120VAC input , rated load and 25°C of ambient temperature. 2. To extend the driver's using life ,please reduce the loading at lower input voltage.	

## Derating Curve



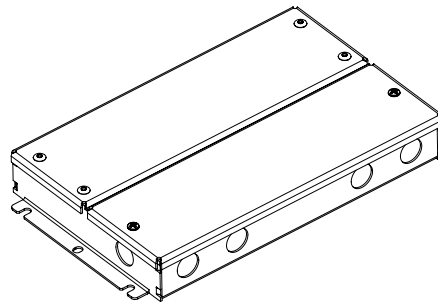
※To extend their life, please refer to the Derating Curve and derate according to the temperature.

## Mechanical Specification



Unite: mm

Tolerance: 0.5-2mm



※ Input wire Black and White to be connected to AC L and N ,Green wire go ground,

※Output wire Red to LED Positive side (+) , Black to LED Negative side (-).

※Dimming cable DIM (+) Purple to 0/1-10V dimmer signal(+ ) ,DIM (-) Grey to 0/1-10V dimmer signal (-)

※Please make sure your connect these correctly otherwise your product will not function correctly and could be damaged.

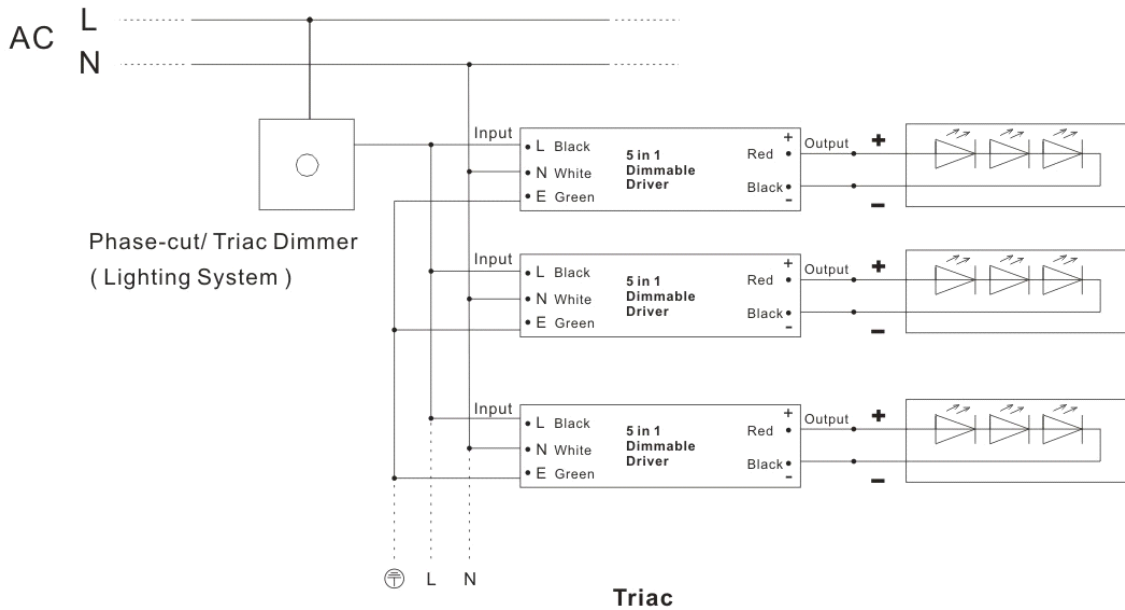
※Note: Any other requests we can customized.

## Triac/0-10V/1-10V/Potentiometer/10V PWM 5 in 1 Dimmable led driver JLM Series JP2 30W

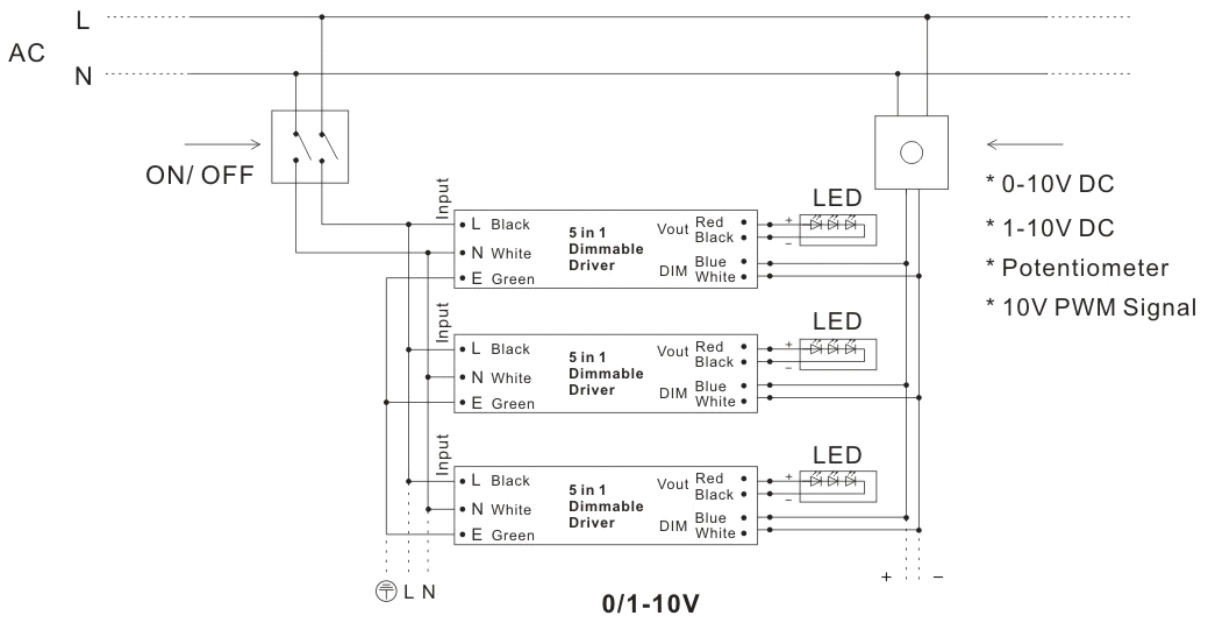
### ■ Connecting Diagram

#### ※Using TRIAC/Phase cut dimming

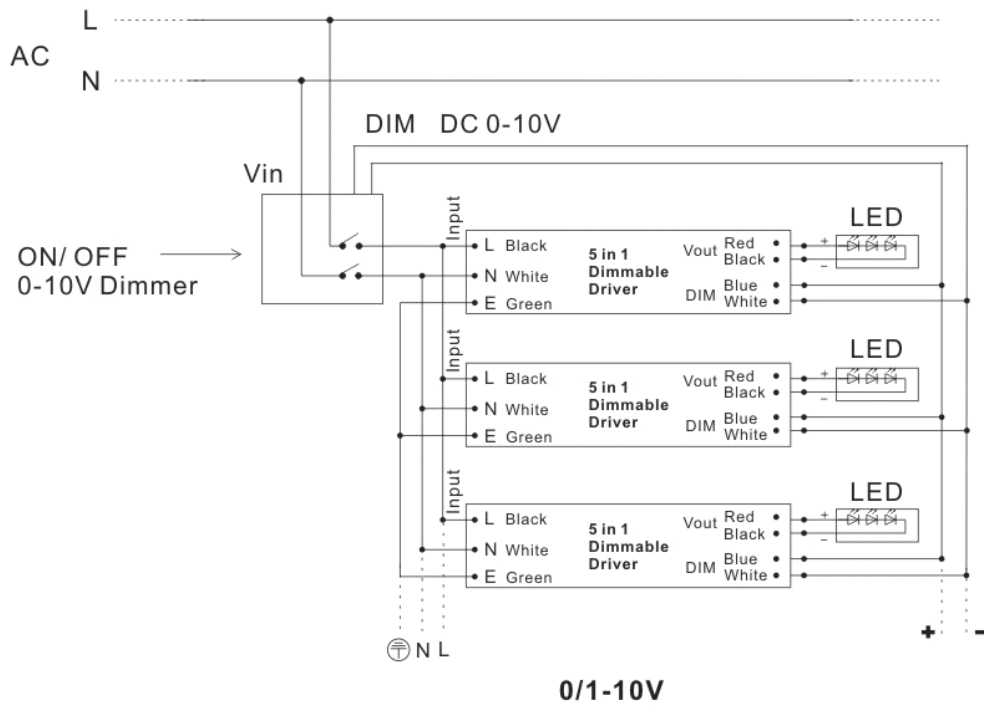
- 1.The Pulse-Width Modulation (PWM) of output voltage can be adjusted through input terminal of the AC phase line(L) by connection a phase /Triac dimmer of lighting system.
2. Work with forward phase /leading edge ,MLV and reverse phase /trailing edge ,ELV,TRIAC dimmers.
- 3.Please try to use dimmers with power at least 1.5 times as the output power of the driver.



#### ※Using 0-10V/1-10V dimming



Triac/0-10V/1-10V/Potentiometer/10V PWM 5 in 1 Dimmable led driver JLM Series JP2 30W



**Instruction:**

- 1) This driver should be installed by qualified and professional person;
- 2) Please make sure the driver is installed with adequate ventilation around it to allow for heat dissipation.
- 3) Ensure that wiring is correct before test in order to avoid light and power supply damage;
- 4) If driver Cannot work normally, don't maintain privately; Have any question, please contact Joyolight.



## JLM Triac tested dimmer list

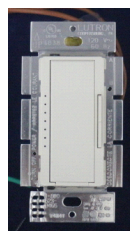
### Compatible Dimmer List(JLM Series)

Dimmer Brand	Model number (Dimmer)	Input Voltage	Dimming Range	Forward Phase or Reserve phase	Compatible Driver (Series)	Remark
LUTRON	SCL-153PR-WH	120V	0-100%	Forward Phase	KVF series	Dimmer with spin button (adjust min. dimming 0-30%)
	DVCL-153PR-WH	120V	0-100%	Forward Phase	KVF series	
	DVWCL-153PH-LA	120V	0-100%	Forward Phase	KVF series	
	CTCL-153PDH-LA	120V	0-100%	Forward Phase	KVF series	
	TGCL-153PR-WH	120V	0-100%	Forward Phase	KVF series	
	TGCL-153PH-WH	120V	0-100%	Forward Phase	KVF series	
	MACL-153MH-LA	120V	20-100%	Forward Phase	KVF series	
	MIR-600M	120V	2-100%	Forward Phase	KVF series	
	CT-600PR-IV	120V	0-100%	Forward Phase	KVF series	
	CT-600PR-WH	120V	0-100%	Forward Phase	KVF series	
	CT-103PR-WH	120V	2-100%	Forward Phase	KVF series	
	DV-600PR-BL	120V	0-100%	Forward Phase	KVF series	
	DV-600PR-WH	120V	0-100%	Forward Phase	KVF series	
	TG-600PR-LA	120V	0-100%	Forward Phase	KVF series	
	TG-600PR-IV	120V	0-100%	Forward Phase	KVF series	
	TG-600PR-WH	120V	0-100%	Forward Phase	KVF series	
	TG-10PR-WH	120V	0-100%	Forward Phase	KVF series	
	S-600PR-WH	120V	0-100%	Forward Phase	KVF series	
	MRF2-6ND-120-AL	120V	0-100%	Forward Phase	KVF series	
	MRF2-6CL-GR	120V	15-100%	Forward Phase	KVF series	
	DZ6HD	120V	23-100%	Forward Phase	KVF series	
	PD-6WCL	120V	20-100%	Forward Phase	KVF series	
	PD-5NE-WH	120V	18-100%	Forward Phase	KVF series	
	SELV-300P	120V	15-100%	Reserve phase	KVF series	
	MSCELV-600M	120V	0-100%	Reserve phase	KVF series	
	MEF2-6ELV-120	120V	0-100%	Reserve phase	KVF series	
	NTLV-600-277-WH	277V	1-100%	Reserve phase	KVF series	
	SF-12P-277	277V	13-100%	Reserve phase	KVF series	
NTF-10-277	277V	1-100%	Reserve phase	KVF series		

## Compatible Dimmer List(JLM Series)

Dimmer Brand	Model number (Dimmer)	Input Voltage	Dimming Range	Forward Phase or Reserve phase	Compatible Driver (Series)	Remark
LEVITON	VPI06-1LZ	120V	15-100%	Forward Phase	KVF series	
	TTI06-1LZ	120V	1-100%	Forward Phase	KVF series	
	IPL06	120V	15-100%	Forward Phase	KVF series	
	DZ6HD	120V	17-100%	Forward Phase	KVF series	
	6674	120V	16-100%	Forward Phase	KVF series	
	6672	120V	20-100%	Forward Phase	KVF series	
	TBL03	120V	15-100%	Forward Phase	KVF series	
	6602	120V	0-100%	Forward Phase	KVF series	
	6683	120V	10-100%	Forward Phase	KVF series	
LEGRAND	RHCL453PNICCV6	120V	6-100%	Forward Phase	KVF series	
	WSCL450TCCCV4	120V	11-100%	Forward Phase	KVF series	
	LSCL453PLACCV4	120V	11-100%	Forward Phase	KVF series	
CRESTRON	CLW-DELVEX-P-W-S	120V	11-100%	Reserve phase	KVF series	

### Photo of Lutron dimmer



MACL-153MHLA



SCL-153PR-WH



DVCL-153PR-WH



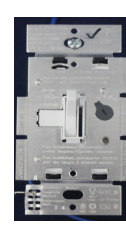
DVWCL-153PH-LA



CTCL-153PDH-LATG



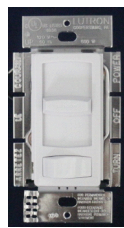
GCL-153PR-WH



TGCL-153PH-WH



CT-600PR-IV



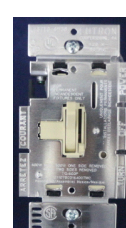
CT-600PR-WH/  
CT-603PGH-WH/  
CT-103PR-WH



DV-600PR-BL



DV-600PR-WH/  
DV-603PGH-WH



TG-600PR-LA/  
TG-600PR-IV



TG-600PR-WH/  
TG-10PR-WH



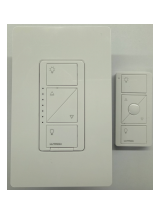
S-600PR-WH



PD-5NE-WH



DZ6HD



PD-6WCL



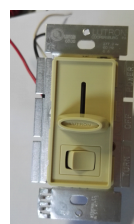
SELV-300P



MSCELV-600M



MRF2-6ELV-120



SF-12P-277

## Compatible Dimmer List(JLM Series)

Dimmer Brand	Model number (Dimmer)	Input Voltage	Dimming Range	Forward Phase or Reserve phase	Compatible Driver (Series)	Remark
--------------	-----------------------	---------------	---------------	--------------------------------	----------------------------	--------

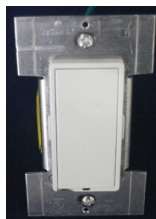


NTLV-600-277-WH  
/NTF-10-277

### Photo of Leviton dimmer



VPI06-1LZ



TTI06



6602/6683



TBL03



6672



IPL06



6674



DZ6HD

### Photo of Legrand dimmer



RHCL453PNICCV6



WSCL450TCCCV4



LSCL453PLACCV

4

### Photo of Crestron dimmer



CLW-DELVEX-P-W-S

## JLM 0-10V tested dimmer list

Brand	Model number	Input Volage	match	Dimming range	Driver	Remark
ARROW HART	DF10P-C1	120-277	OK	5-100%	KVG	Dimmer with spin button (adjust max. dimming )
Lutron	DVSTV-WH	120-277	OK	9-100%	KVG	Dimmer with spin button (adjust min. dimming 9%-25%)
	DVTV-WH	120-277	OK	9-100%	KVG	



DF10P-C1

DVSTV-WH

DVTV-WH